

# Geneva Fire Department

July 24, 2023

Rodney Nelson  
23 Kane Street  
Geneva, IL 60134

Dear Mr. Nelson,

Thank you for writing to the Geneva Fire Department with your request for information pursuant to the Illinois Freedom of Information Act, 5 ILCS 140/1 et seq.

On Monday, July 17, 2023, you requested the following records regarding: "This is a FOIA request for any and all documents of any type related to the purchase of a Ford F-150 Lightning Vehicle for the use of the GFD and/or Geneva Fire Marshall. Included in this request is any other recently acquired GFD vehicle(s) and for all such documents related to any alternative or additional vehicle for the GFD (see below). This request includes documents related to the installation of charging stations, chargers, etc, and any modifications made or planned for these vehicles. Previous City communications indicated that "May or June" 2023 was when delivery of the F150 Lightning Vehicle was expected.

For clarification, yesterday morning (July 14), while waiting to make a left turn onto Kaneville Road from westbound State St, I was passed at a high speed by an unmarked white SUV (not a PU truck) going west in the eastbound inner lane of State Street. This vehicle had flashing lights, and the siren was sounding, but the vehicle had no obvious identifying markings. I proceeded west on Kaneville Road and saw this vehicle at a crash site. This appeared to me to be a new midsize SUV vehicle, and its white color led me to suspect it was a GFD vehicle, not a police vehicle."

Your requested is granted.

I have enclosed copies of the documents that you requested.

Sincerely,

Jennifer Helmrich  
FOIA Officer  
Administrative Assistant



## Antenore, Mike

---

**From:** Antenore, Mike  
**Sent:** Monday, May 22, 2023 11:23  
**To:** Dawkins, Stephanie  
**Subject:** Purchase Order Request - F150 Lightning Topper/Slide Out Tray  
**Attachments:** F150 Lightning\_Topper\_Slide.pdf

Stephanie,

As part of the F150 Lightning EV project we are equipping the pick-up bed with a topper and roll out tray. This expense is part of the overall budget allocation of \$75,000.

We obtained 3 quotes (attached) for this portion of the project:

	<u>Bob Ridings Ford</u>	<u>Ricks RV</u>	<u>Diversified Fleet Services</u>
ARE Topper	\$4,320.00	\$4,936.51	\$3,945.65
Roll-Out Tray	\$1,600.00	\$1,597.00	\$1,526.25
Total	\$5,920.00	\$6,533.51	\$5,471.90

Diversified Fleet Services is low quote. They are local (Batavia), have experience with F150 Lightning's and will also be able to provide the emergency equipment upfitting for the vehicle.

Please review and provide your approval at your convenience.

Sincerely,

Mike

**Michael K. Antenore**

Fire Chief

Geneva Fire Department

200 East Side Drive | Geneva, IL | 60134

630-232-2530 | [mantenore@geneva.il.us](mailto:mantenore@geneva.il.us)

# Geneva Fire Department

## PURCHASE ORDER

City of Geneva, 22 South First Street, Geneva, IL 60134 | (630) 232-0854



PO Number: 52448

V  
e  
n  
d  
o  
r  
Diversified Fleet Services  
1245 Paramount Pkwy  
Batavia, IL 60510

Geneva Fire Department  
200 East Side Drive  
Geneva, IL 60134  
630-232-2530

Date:			Dept:		
05/22/2023			Schultze		
	QTY	Item #	Description	Amount	Total
1	1	Per Quote	2023 Ford F150 Lightning Super Crew topper	\$3,705.65	\$3,705.65
2	1	Per Quote	SM3-SP-60-48 slide out tray	\$1,211.25	\$1,211.25
3	1	Freight		\$150.00	\$150.00
4	4.5	Installation		\$90.00	\$405.00
			Per quote #4559, dated 05/15/2023		
			Ford paint code - YZ (White)		
			shipping:		\$0.00
			Total:		\$5,471.90

DO NOT ADD SALES TAX..... CITY IS EXEMPT

 5-22-2023  
 REQUISITIONER  
 5/22/2023  
 CITY ADMINISTRATOR

REMITTANCE: PLEASE SEND ALL INVOICES VIA EMAIL TO GFD@GENEVA.IL.US



**Quote**  
4559

**Quote Date**  
May 15, 2023

*A Dual Fuel Systems, Inc. Company*

1245 Paramount Parkway Batavia, IL 60510  
Office 630-406-5700 Fax 630-406-5705

**SOLD TO:**

**SHIP TO:**

City of Geneva Fire Department  
200 Eastside Drive  
Geneva, IL 60134

City of Geneva Fire Department  
200 Eastside Drive  
Geneva, IL 60134

Customer ID		Customer Contact	Payment Terms	
City Geneva Fire Dep		Dustin Schultze	Net 15 Days	
Customer Phone		Customer Fax	Good Through	Page number
630-232-2530			Jun 14, 2023	1

Qty	Item	Description	Unit Price	Amount
		2023 Ford F150 Lightning super crew 67" bed		
1.00		ARE V series, paint to match, stationary front window, side panel windows w/ tool boxes both sides, rear solid panel double T handles. center rope light + dome	3,705.65	3,705.65
1.00		SM3-SP-60-48, steel 3 rail, 1000# capacity 100% extension, 60" deep 48" wide, std. turn lock, painted silver, w/alum tray 1/2-60-48-L2, 1/8" alum 60x48 w/2"lip	1,211.25	1,211.25
1.00	Freight	Freight	150.00	150.00
4.50	Installation	Labor to Install and Test-cover and slide	90.00	405.00

Customer Signature \_\_\_\_\_

Freight  
Subtotal 5,471.90  
Sales Tax

By signing above, customer agrees to purchase the items and services listed. Please bring your vehicle us to measure or double check your vehicle year, make, model, cab style, bed length, etc, before order. Any items ordered incorrectly due to information provided by the customer will be subject to restocking shipping, and installation fees.

**TOTAL 5,471.90**

**Bob Ridings Fleet Sales**  
**Todd Crews, Fleet Sales Mgr.**  
**931 Springfield Rd**  
**Taylorville IL 62568**

Ph. 217-824-2207

Email toddfleet@aol.com

Fax 217-824-4252

Monday, May 22, 2023

KEVIN SWANSON  
GENEVA FIRE DEPT  
200 EASTSIDE DR  
GENEVA, IL 60134

Dear Kevin:

Thank you for your inquiry about our Fleet Sales Program, please accept this letter as our bid. We are pleased you are again considering us for your new trucks and this one is in production and expected to arrive in May/June.

**WE PROPOSE 2023 Ford F150 LIGHTNING SuperCrew Pickup (W1E) AWD w/5.5ft Bed**  
INCLUDES All Standard Equipment w/PRO Series Trim Level 110A Pkg  
**(99L) 98 kWh High Voltage STANDARD RANGE Battery-with DUAL Electric eMotors**  
w/Single Speed Transmission, 210 mile Range Estimated **ALL Wheel Drive**  
**Independent Rear Suspension Electronic Locking Rear Axle Class IV Trailer Hitch**  
Advance Trac Stability Control w/Antilock Brakes **Front & Side Airbags**  
P275/65R18 All Terrain Tires w/Aluminum Wheels & Full Size Spare Tire  
Front Trunk (Fruunk) w/Power Up & Down Hood **BLACK Grille & Bumpers**  
Front Tow Hooks **(4) Tie Down Hooks in Bed**  
5 Passenger Seating w/Front Bucket Seats, Full Console w/Floor Shift, 60/40 Folding Rear Seat  
Power Windows/Locks/Mirrors/Remote Keyless Entry **Tilt Wheel & Cruise Control**  
Air Conditioning with Dual Zone Climate Control **Auto Headlamps w/Programmable DRL**  
AM/FM w/SYNC 4 Bluetooth w/12" Touchscreen Controls **Rearview Camera**  
Ford CoPilot 360 2.0 Safety Tech Includes BLIS Blind Spot System, Lane Keeping with Collision  
Warning, Auto High Beam Headlamps and Reverse Sensing System **PLUS MORE!**  
**(YZ) White Ext, (VS) Gray VINYL Bucket Seats w/Console, Full Vinyl Floor Covering**  
ADD (85H) Backup Alarm **BEDLINER NOT ORDERED**  
(479) ProPower Onboard 9.6 kW, allows vehicle to be used as power source for tools  
(66A) Mobile Power Cord w/120V/240V  
(2) Keys **Delivery to your Location**  
**New Municipal Title & Lic**  
**YOUR COST \$58,899.00**

A.R.E V-Series Body Color Fiberglass Topper,  
Cab Height, Paint to Match \$2795.00  
UPGRADE to Toolmaster, Both Sides and Rear Swing Up Aluminium Windors w/Double T Handle,  
Painted Aluminum Inserts, Standard Toolbox w/Standard Divider,  
LED Lighting w/Center Rope Lights w/Prop Switch \$1525.00  
**YOUR COST \$4320.00**

RHINO Liner Spray in Bedliner \$695.00

WeatherTech Premium Floor Liners, Frt Pr \$150.00  
Front & Rear Set \$235.00

**AWD 8250 GVWR, Approx 1600lb Payload, Trailer Wt Approx 6000lb (HD Trailer Pkg NOT included)**

Please contact me with any questions and thanks for your business!

Sincerely,

Todd Crews  
Fleet Sales Manager

## Antenore, Mike

---

**From:** A.R.E. Accessories, LLC <noreply@aredealer.com>  
**Sent:** Tuesday, May 2, 2023 17:01  
**To:** Schultze, Dustin  
**Subject:** ● Re: A.R.E. Additional Information Request

**EXTERNAL EMAIL - USE CAUTION**

***Rick's RV Center***  
815-725-4061

Hello Dustin,  
The V series cap built with the options selected will total \$4936.51. This total includes tax and complete installation. Current lead time for new orders with toolboxes are ranging around 16 weeks. Please call or email anytime with additional questions. Thank you for the inquiry!

Thank you,  
Bryan Niedermeyer

**Rick's RV Center**  
4360 W. Jefferson ST  
Joilet , IL 60431  
USA

**Dealership Phone**  
815-725-4061

**Dealership Hours**  
Mon: 9 AM-5 PM  
Tues: 9 AM-5 PM  
Wed: 9 AM-5 PM  
Thurs: 9 AM-5 PM  
Fri: 9 AM-5 PM  
Sat: 9 AM-4 PM

**Dealership Website**  
<https://www.4are.com/locator/?z=60431>

Map To Our Location

---

### **Disclaimer**

The information contained in this e-mail is intended solely for the use of the named addressee. Access, copying, forwarding or re-use of the e-mail or any information contained therein by any other person is not authorized. If you are not the intended recipient, please destroy this communication.

## Antenore, Mike

---

**From:** Rick's RV Center <bryan@ricksrv.com>  
**Sent:** Tuesday, May 2, 2023 17:29  
**To:** Schultze, Dustin  
**Subject:** RE: ● Re: A.R.E. Additional Information Request

The CG1000 will run \$1299 + tax and \$278 to build and install.

Bryan

On May 2, 2023 5:13 PM Schultze, Dustin <dschultze@geneva.il.us> wrote:

Brian,

Can you give me a quote on the CG1000 cargo slide please?

Thanks

DS

***Dustin Schultze***  
Fire Marshal  
City of Geneva, Illinois  
630.232.2530  
[dschultze@geneva.il.us](mailto:dschultze@geneva.il.us)

[Application for Permit](#)

**From:** A.R.E. Accessories, LLC <noreply@aredealer.com>  
**Sent:** Tuesday, May 2, 2023 5:01 PM  
**To:** Schultze, Dustin <dschultze@geneva.il.us>  
**Subject:** ● Re: A.R.E. Additional Information Request

**EXTERNAL EMAIL - USE CAUTION**



Outfit for Life

**Dealer Information**

Rick's RV Center  
4360 W. Jefferson ST  
Joliet , IL 60431  
Tel: 815-725-4061

**Model**

V

**Truck Information**

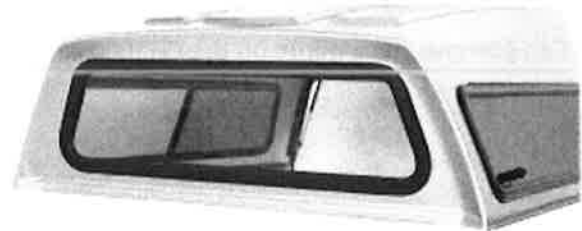
Truck Year: 2023  
Truck Make: Ford  
Truck Model: F150 Lightning  
Truck Cab: SuperCrew  
Truck Bed: 67.0 in.



**Options**

**Front Cap Option**

Aluminum Framed Picture Window



**Side Window**

Aluminum Paneled Window



**Rear Door**

Aluminum Paneled Door





**Interior Light Option**  
12V LED Dome Light & Center Rope Light



**Tool Box / Divider Driver Side**  
Driver Side Toolbox Divider Standard



**Tool Box / Divider Passenger Side**  
Passenger Side Toolbox Divider Standard



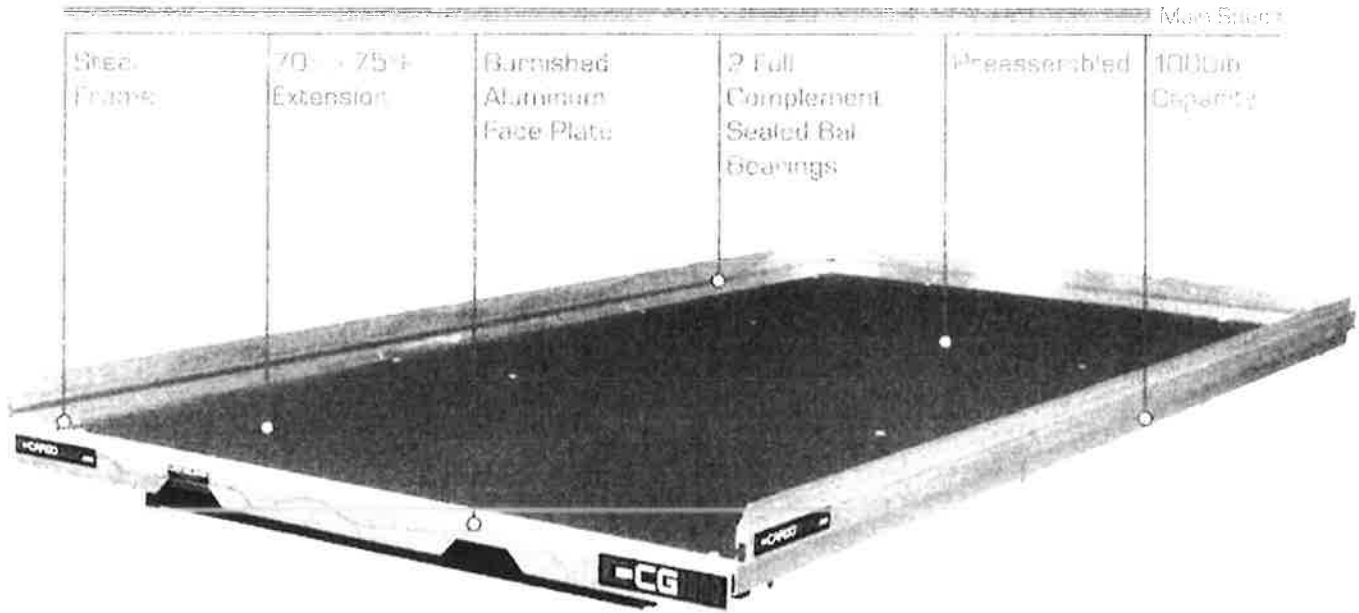
**Additional Accessories**

---

No Additional Accessories Selected

Disclaimer: Requesting a quote is not an order. Orders will be placed through and by your local A.R.E. dealer. Information provided throughout the build your own can be changed with the A.R.E. dealer you are sending the quote to. Availability of options is subject to change and is specific to truck make and model. Options listed throughout the build your own are not available on all truck makes and models. A.R.E. reserves the right to change options and availability at any time without notice.

**ATTN: STATE OF CALIFORNIA CONSUMERS**  
**⚠ WARNING: Cancer and Reproductive Harm - [www.P65Warnings.ca.gov](http://www.P65Warnings.ca.gov).**



Steel Frame	70% - 75% Extension	Burnished Aluminum Face Plate	2 Full Complement Sealed Ball Bearings	Preassembled	1000lb Capacity
-------------	---------------------	-------------------------------	--	--------------	-----------------

1000 lb capacity. 75% of the Cargo Tray Length Slides Out on short bed trucks and 70% on long beds. Sturdy steel frame construction. Real plywood deck with a laminated surface for strength and durability. 6 Bearings Total, 2 Full Complement Permanently Sealed Ball Bearings, 2 Side Thrust and 2 Powerful Needle Bearings provide Dependable Lasting support for the Cargo You Haul in Your CargoGlide.

Industrial 4" high extruded 6061-T6 Thick Anodized Aluminum Side Rails with a Slot Style infinitely adjustable Tie Down Track around all Three Sides, and includes 4 adjustable marine grade tie down eyebolts to make securing cargo easy and versatile.



## CAPACITIES

<b>Payload Distributed Capacity</b>	<b>1000 lbs</b>
<b>Tie-down Load Rating</b>	<b>400 lbs per tie-down</b>
<b>Bearing Load Rating</b>	<b>Combined Load Rating of Bearings = 7049.6</b>
Load	2 @ 2742.7 ea.
Carrier	2 @ 1602.8 ea.
Side Thrust	2 @ 1528.7 ea.
<b>Plus-Nut Rating (in. 125 steel)</b>	<b>4-6 @ 1500 lbs. each</b>
<b>Extension</b>	<b>70-75%</b>

## DIMENSIONS / WEIGHT RANGES

<b>Length</b>	<b>30" - 96"</b>
<b>Width</b>	<b>22" - 48"</b>
<b>Profile/ Deck Height (Inches)</b>	<b>3 3/4</b>
<b>Side Rails</b>	<b>4"</b>
<b>Grab Rail</b>	<b>Based on width of unit</b>
<b>Lower Frame Width</b>	<b>19" - 35"</b>
<b>Weight</b>	<b>130 - 175 lbs.</b>

**Custom Sizes Available**

# Geneva Fire Department

## PURCHASE ORDER

City of Geneva, 22 South First Street, Geneva, IL 60134 (630)232-0854

PO Number: 52492

V  
e  
n  
d  
o  
r  
  
**Ford**  
 \_\_\_\_\_  
 \_\_\_\_\_  
 \_\_\_\_\_  
 \_\_\_\_\_

**Geneva Fire Department**  
 \_\_\_\_\_  
**200 East Side Drive**  
 \_\_\_\_\_  
**Geneva, IL 60134**  
 \_\_\_\_\_  
**630-232-2530**  
 \_\_\_\_\_  
 \_\_\_\_\_

Date:				Dept:	
7/6/2023				Schultze	
	QTY	Item #	Description	Amount	Total
1	1	ML9Z*10C823*A	1 107E Ford Connecte	\$898.20	<b>\$898.20</b>
2					
3					
4					
5					
6					
7					
8					
9					
10					
11					
12					
13					
14					
15					
16					
17					
18					
19					
				Discount	
				shipping:	
				Total:	<b>\$898.20</b>

DO NOT ADD SALES TAX..... CITY IS EXEMPT

 7-6-2023  
 REQUISITIONER

REMITTANCE: PLEASE SEND ALL INVOICES VIA EMAIL TO [GFD@GENEVA.IL.US](mailto:GFD@GENEVA.IL.US)

**ARLINGTON HEIGHTS** 



**#1** Customer Satisfaction   
**CHAIRMAN'S AWARD**



801 W. Dundee Road • Arlington Heights, IL 60004  
847-870-1300 • **AH**  **.COM**



SVC. DLR.  
01539



**RETURN/REFUND POLICY:** ALL RETURNS MUST BE ACCOMPANIED BY THIS INVOICE AND ARE SUBJECT TO A 25% RESTOCKING CHARGE. RETURNED ITEMS MUST BE IN THE ORIGINAL UNOPENED BOX OR CONTAINER. PLEASE NOTE THAT THE DEALERSHIP WILL NOT ACCEPT RETURNS OR MAKE REFUNDS AFTER 15 DAYS. NO REFUNDS OR RETURNS ON SPECIAL ORDER PARTS OR ELECTRICAL PARTS.

**DISCLAIMER OF WARRANTY:** ALL PARTS AND ACCESSORIES ARE SOLD BY THE DEALERSHIP AS-IS. ANY WARRANTIES ON THE PARTS OR PRODUCTS DESCRIBED BELOW ARE THOSE OF THE MANUFACTURER OR DISTRIBUTOR OF THE PARTS OR PRODUCTS. THE DEALERSHIP HEREBY EXPRESSLY DISCLAIMS ALL WARRANTIES, EXPRESS AND IMPLIED, INCLUDING ANY IMPLIED WARRANTIES OF MERCHANTABILITY AND FITNESS FOR A PARTICULAR PURPOSE, WITH RESPECT TO THE SAME. THE DEALERSHIP NEITHER ASSUMES NOR AUTHORIZES ANY OTHER PERSON TO ASSUME FOR IT ANY LIABILITY IN CONNECTION WITH THE SALE OF SAID PARTS OR PRODUCTS. CUSTOMER SHALL NOT BE ENTITLED TO RECOVER FROM THE DEALERSHIP ANY CONSEQUENTIAL DAMAGES, DAMAGES TO PROPERTY, DAMAGES FOR LOSS OF USE, LOSS OF TIME, LOSS OF PROFIT OR INCOME, OR ANY OTHER INCIDENTAL DAMAGES. THIS DISCLAIMER IN NO WAY AFFECTS THE PROVISIONS OF ANY MANUFACTURER OR DISTRIBUTOR WARRANTIES.

DATE ENTERED 06 JUL 23	YOUR ORDER NO.	06 JUL 23	INVOICE DATE	INVOICE NUMBER Q34964
---------------------------	----------------	-----------	--------------	--------------------------

**\*\*QUOTE\*\***

S  
O  
L  
D  
T  
O  
P: 6302322530 F:

ACCOUNT NO. 101535

GENEVA FIRE DEPT  
200 EASTSIDE DR  
GEVEVA IL 60134

S  
H  
I  
P  
T  
O

WALK IN RETAIL

PAGE 1 OF 1

TAX ID #

SHIP VIA	SLSM. 3750	TERMS WCASHU	VIN ARLINGTON HEIGHT		
QUANTITY QTY	PART NO.	DESCRIPTION	LIST	NET	AMOUNT
1	ML9Z*10C823*A	1 107E FORD CONNECTE	115.55	898.20	898.20
TAX# E99960761					
**** INVOICE QUOTE - DO NOT PAY ****					
!CORES MUST BE RETURNED IN ORIG. BOX! !!FOR CORE CREDIT TO BE ISSUED!!			PARTS	898.20	
			SUBLET		
			FREIGHT	0.00	
			SALES TAX	0.00	
CUSTOMER'S SIGNATURE <b>X</b>			<b>TOTAL</b>	<b>\$898.20</b>	



2525 E MAIN ST  
 SAINT CHARLES, IL 60174  
 PHONE (630) 584-1800

**RETURN/REFUND POLICY:** ALL RETURNS MUST BE ACCOMPANIED BY THIS INVOICE AND ARE SUBJECT TO A 15% RESTOCKING CHARGE. RETURNED ITEMS MUST BE IN THE ORIGINAL UNOPENED BOX OR CONTAINER. PLEASE NOTE THAT THE DEALERSHIP WILL NOT ACCEPT RETURNS OR MAKE REFUNDS AFTER 7 DAYS. NO REFUNDS OR RETURNS ON SPECIAL ORDER PARTS OR ELECTRICAL PARTS.

**DISCLAIMER OF WARRANTY:** ALL PARTS AND ACCESSORIES ARE SOLD BY THE DEALERSHIP AS-IS. ANY WARRANTIES ON THE PARTS OR PRODUCTS DESCRIBED BELOW ARE THOSE OF THE MANUFACTURER OR DISTRIBUTOR OF THE PARTS OR PRODUCTS. THE DEALERSHIP HEREBY EXPRESSLY DISCLAIMS ALL WARRANTIES, EXPRESS AND IMPLIED, INCLUDING ANY IMPLIED WARRANTIES OF MERCHANTABILITY AND FITNESS FOR A PARTICULAR PURPOSE, WITH RESPECT TO THE SAME. THE DEALERSHIP NEITHER ASSUMES NOR AUTHORIZES ANY OTHER PERSON TO ASSUME FOR IT ANY LIABILITY IN CONNECTION WITH THE SALE OF SAID PARTS OR PRODUCTS. CUSTOMER SHALL NOT BE ENTITLED TO RECOVER FROM THE DEALERSHIP ANY CONSEQUENTIAL DAMAGES, DAMAGES TO PROPERTY, DAMAGES FOR LOSS OF USE, LOSS OF TIME, LOSS OF PROFIT OR INCOME, OR ANY OTHER INCIDENTAL DAMAGES. THIS DISCLAIMER IN NO WAY AFFECTS THE PROVISIONS OF ANY MANUFACTURER OR DISTRIBUTOR WARRANTIES.

DATE ENTERED 06 JUL 23	YOUR ORDER NO.	DATE SHIPPED 06 JUL 23	INVOICE DATE	INVOICE NUMBER <b>Q75470</b>	<b>11:26</b>
---------------------------	----------------	---------------------------	--------------	---------------------------------	--------------

**\*\*QUOTE\*\***

S  
O  
L  
D  
T  
O  
  
 ACCOUNT NO. 118837  
**CITY OF GENEVA**  
 1800 SOUTH ST  
 GENEVA, IL 60134-2547

S  
H  
I  
P  
T  
O  
  
 PAGE 1 OF 1

SHIP VIA W/C	SLSM. 82	B/L NO. (331)442-9164	TERMS	F.O.B. POINT SAINT CHARLES I
-----------------	-------------	--------------------------	-------	---------------------------------

QTY	QTY SUP	U.O.	PART NO.	DESCRIPTION	LIST	NET	AMOUNT	COST	COMP.
1	1	0	ML9Z*10C823*A	R2 FORD C 0	1065.33	878.90	878.90		
ADD 10% FROM ANOTHER DEALER THANK YOU. **** I N V O I C E Q U O T E - DO NOT PAY ****									
<b>NOT IN STOCK</b>									

							<b>TOTALS</b>		
							<b>PARTS</b>	<b>878.90</b>	
							<b>SUBLET</b>		
							<b>FREIGHT</b>	<b>0.00</b>	
							<b>SALES TAX</b>	<b>0.00</b>	
CUSTOMER'S SIGNATURE X							<b>TOTAL</b>	<b>\$878.90</b>	

# CART

 Free shipping and returns



Part No: ML9Z-10C823-A  
Ford Connected Charge Station

1

\$799.00

REMOVE

SUBTOTAL

**\$799.00**

SHIPPING

Calculated at checkout

[Continue to checkout](#)

*NOT IN STOCK*

## Billing address

Select the address that matches your card or payment method.

- Same as shipping address
- Use a different billing address

By placing your order, you agree to the Ford Online Shop Terms and Conditions and the Ford Customer Privacy Policy.

By placing your order, you agree to the Ford Payment Terms and Conditions.



Before you can proceed you must read & agree to the latest Ford Online Shop Terms and Conditions the Ford Customer Privacy Policy, and the Ford Payment Terms and Conditions as well as the Ford.com Terms & Conditions and Ford.com Privacy Policy, which you can access by clicking on these links. Please read these terms carefully – they are agreements between you and us and contain important provisions regarding your use of this site. The Ford Online Shop Terms and Conditions, the Ford Customer Privacy Policy, and the Ford Payment Terms and Conditions govern only your use of the Ford Online Shop, not any other parts of the Ford.com site.

[Pay now](#)

[← Return to shipping](#)

All rights reserved Ford Electric

# Ford Electric

 Show order summary 

\$848.94

[Cart](#) > [Information](#) > [Shipping](#) > **Payment**

Contact

dschultze@geneva.il.us

[Change](#)

Ship to

200 East Side Drive, Geneva IL 60134, United States

[Change](#)

Method

Shipping · Free

## Discount

Discount code

## Payment

All transactions are secure and encrypted.

**Credit card**

and more...

Card number



Name on card

Expiration date (MM / YY)

Security code





**LOCHMANDY FORD OF KNOX**  
 300 S. HEATON  
 KNOX, IN 46534  
 PH:(574)772-2181 FAX:(574)772-4601

00653GEN

Est Deliver Date: 07/06/2023

Printed: 07/06/2023 15:09

Sold To GENEVA FIRE DEPARTMENT  
 DUSTIN SCHULTZE  
 200 EASTSIDE DRIVE  
 GENEVA, IL 60134  
  
 (630) 938-4520 (CELL)

DATE	QUOTE NO.	CUST. NO.
07/06/2023	653	035571
SOLD BY	PAY TYPE	P.O. NO.

60 Amount Due  
Quote

NO RETURNS ON ELECTRONIC PARTS, 35% RESTOCK, NO RETURNS AFTER 10 DAYS. THANK YOU FOR CHOOSING LOCHMANDY FORD! LEAVE US A GOOGLE OR FACEBOOK REVIEW!

QTY	PART NUMBER	DESCRIPTION	BIN	LIST	NET	AMOUNT
1	ML9Z 10C823 A	FORD CONNECTED	1207	1065.33	950.33	950.33
						Sub Total 950.33
						Tax 0.00
						Shipping 16.62
						<b>TOTAL QUOTE-DO NOT PAY 966.95</b>
						<b>QUOTE - QUOTE - QUOTE - QUOTE</b>

**Thank You**

THANK YOU FOR CHOOSING LOCHMANDY FORD!  
PLEASE LEAVE US A REVIEW ON GOOGLE OR FACEBOOK

Received by \_\_\_\_\_

Charger Types	miles per charging hour	Cost	Shipping	Total
Ford Travel 120 v charger	3 miles	NA		
Ford Travel 240 v charger	19 miles	NA		
Ford Home Charger 48 amp (plug only)Out of Stock	19 miles	\$ 799.00	\$ -	\$ 799.00
Ford Home Charger 80 amp (plug only)	19 miles	\$ 1,310.00	\$ -	\$ 1,310.00
Ford Pro AC Charger 48amp (includes OTA management)	19 miles	\$ 1,399.00	\$ 30.00	\$ 1,429.00
Ford Pro AC Charger 80 amp (includes OTA management)	19 miles	\$ 1,999.00	\$ 30.00	\$ 2,029.00
Charge Point Chargers 50 amp charger (cloud management)	35 miles	\$ 4,945.00	\$ 140.00	\$ 5,085.00
Charge Point Chargers 50 amp charger (cloud management)	35 miles	\$ 6,125.00	\$ -	\$ 6,125.00
Charge Point Chargers 50 amp charger (cloud management)	35 miles	\$ 6,465.00	\$ 200.00	\$ 6,665.00
Company	Charge Point	Graybar	Rexel	
Items				
50 Amp Charger	\$ 3,990.00	\$ 3,355.00	\$ 3,192.00	
Gateway-LTE	\$ -		\$ -	
Prepaid Power cloud plan	\$ 1,035.00	\$ 1,980.00	\$ 983.00	
warranty 5 years extended	\$ 710.00	\$ 710.00	\$ 675.00	
install activation	\$ 100.00		\$ 95.00	
CP site validation	\$ 630.00	\$ -	\$ -	
concrete mounting Kit		\$ 80.00		
Shipping	\$ 200.00		\$ 140.00	
Total	\$ 6,665.00	\$ 6,125.00	\$ 5,085.00	

# FORD MOBILE CHARGER

The Ford Mobile Charger can use either a:

1. Standard home 120V outlet (3 miles of range per charging hour)\* OR
2. 240V NEMA 14-50 outlet (20 miles of range per charging hour)\* to be installed by a licensed electrician

EQUIPMENT INCLUDED WITH VEHICLE PURCHASE

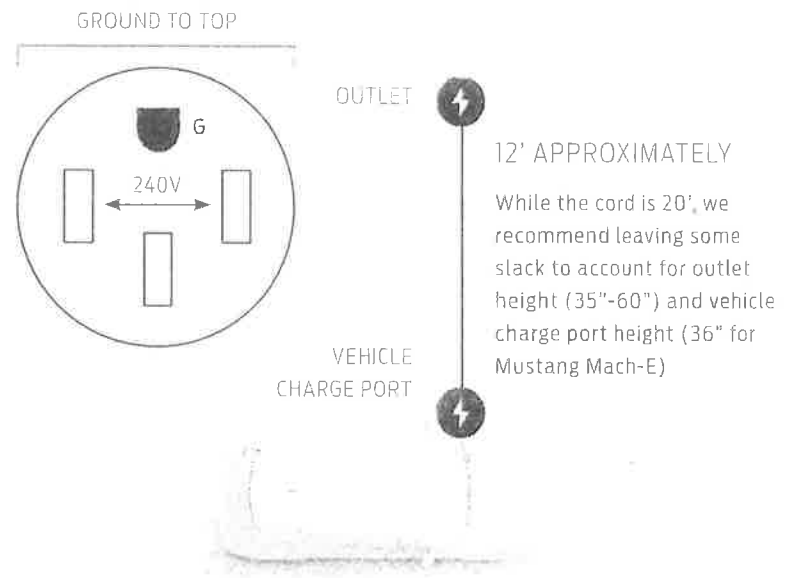


## NEMA 14-50 OUTLET DETAILS

- CIRCUIT BREAKER  
50A – GFCI Recommended
- VOLTAGE  
240 VAC nominal, 2 poles, 60 Hz
- FOUR WIRE CONFIGURATIONS  
L1, L2, Ground and Neutral
- OUTLET  
NEMA 14-50 (recommend industrial-grade outlet, if plan to plug/unplug often)
- CONDUCTORS  
Follow local and national codes/regulations.
- GROUND PIN ORIENTATION  
Top position of outlet.
- VENTILATION  
Not required.
- OUTLET INSTALLATION HEIGHT  
Between 35" and 60" from ground to outlet.

## HOW TO CHARGE

1. Install the Ford Mobile Charger bracket near the 120V or 240V outlet.
2. Attach the 120V or 240V connector to the mobile charger.
3. Plug the mobile charger connector into the 120V or 240V outlet.
4. Clip the mobile charger into the wall-mounted bracket.
5. Plug the mobile charger cord set coupler into the vehicle charge port.
6. The vehicle will begin to charge (unless outside of pre-scheduled charge times).



## OTHER RESOURCES

How-To Videos

Charging Basics: <http://ford.to/chargingbasics>

Charging at Home: <http://ford.to/chargingathome>

Questions/Assistance?

Ford Customer Relationship Center:

1-800-392-FORD (3673)



# Ford Charge Station Comparison



	<b>Ford Connected Charge Station</b> 48AMP	<b>Ford Charge Station Pro</b> 80AMP
<b>Average miles of range per charging hour</b>	<b>Mach E</b> 28 miles	<b>Mach E</b> 28 miles
	<b>Lightning Standard</b> 19 miles	<b>Lightning Standard</b> 19 miles
	<b>Lightning Extended</b> 20 miles	<b>Lightning Extended</b> 30 miles
	<b>E Transit</b> 28 miles	<b>E Transit</b> 28 miles
<b>Hours to charge 0-100%</b>	<b>Mach E</b> 10.9 hours	<b>Mach E</b> 10.9 hours
	<b>Lightning Standard</b> 10 hours (15-100%)	<b>Lightning Standard</b> 10 hours (15-100%)
	<b>Lightning Extended</b> 13 hours (15-100%)	<b>Lightning Extended</b> 8 hours (15-100%)
	<b>E Transit</b> 12 hours	<b>E Transit</b> 12 hours
<b>Enables Ford Intelligent Backup Power</b>	N/A	<b>Lightning Extended and Standard Range</b>
<b>WIFI Enabled</b>	<b>Yes</b>	<b>Yes</b>
<b>FordPass™ Connected</b>	<b>Yes</b>	<b>Yes</b>
<b>Output Cord Length</b>	<b>20'</b>	<b>25'</b>

# Ford Charge Station Comparison

	<b>Ford Connected Charge Station</b> 48AMP	<b>Ford Charge Station Pro</b> 80AMP
<b>Average miles of range per charging hour</b>	<b>Mach E</b> 28 miles  <b>Lightning Standard</b> 19 miles  <b>Lightning Extended</b> 20 miles  <b>E Transit</b> 28 miles	<b>Mach E</b> 28 miles  <b>Lightning Standard</b> 19 miles  <b>Lightning Extended</b> 30 miles  <b>E Transit</b> 28 miles
<b>Hours to charge 0-100%</b>	<b>Mach E</b> 10.9 hours  <b>Lightning Standard</b> 10 hours (15-100%)  <b>Lightning Extended</b> 13 hours (15-100%)  <b>E Transit</b> 12 hours	<b>Mach E</b> 10.9 hours  <b>Lightning Standard</b> 10 hours (15-100%)  <b>Lightning Extended</b> 8 hours (15-100%)  <b>E Transit</b> 12 hours
<b>Enables Ford Intelligent Backup Power</b>	N/A	<b>Lightning Extended and Standard Range</b>
<b>WIFI Enabled</b>	<b>Yes</b>	<b>Yes</b>
<b>FordPass™ Connected</b>	<b>Yes</b>	<b>Yes</b>
<b>Output Cord Length</b>	<b>20'</b>	<b>25'</b>

# Ford Charge Station Comparison

	<b>Ford Connected Charge Station</b> 48AMP	<b>Ford Charge Station Pro</b> 80AMP
<b>Average miles of range per charging hour</b>	<b>Mach E</b> 28 miles	<b>Mach E</b> 28 miles
	<b>Lightning Standard</b> 19 miles	<b>Lightning Standard</b> 19 miles
	<b>Lightning Extended</b> 20 miles	<b>Lightning Extended</b> 30 miles
	<b>E Transit</b> 28 miles	<b>E Transit</b> 28 miles
<b>Hours to charge 0-100%</b>	<b>Mach E</b> 10.9 hours	<b>Mach E</b> 10.9 hours
	<b>Lightning Standard</b> 10 hours (15-100%)	<b>Lightning Standard</b> 10 hours (15-100%)
	<b>Lightning Extended</b> 13 hours (15-100%)	<b>Lightning Extended</b> 8 hours (15-100%)
	<b>E Transit</b> 12 hours	<b>E Transit</b> 12 hours
<b>Enables Ford Intelligent Backup Power</b>	N/A	<b>Lightning Extended and Standard Range</b>
<b>WIFI Enabled</b>	<b>Yes</b>	<b>Yes</b>
<b>FordPass™ Connected</b>	<b>Yes</b>	<b>Yes</b>
<b>Output Cord Length</b>	<b>20'</b>	<b>25'</b>

# Ford Charge Station Comparison

	<b>Ford Connected Charge Station</b> 48AMP	<b>Ford Charge Station Pro</b> 80AMP
<b>Average miles of range per charging hour</b>	<b>Mach E</b> 28 miles  <b>Lightning Standard</b> 19 miles  <b>Lightning Extended</b> 20 miles  <b>E Transit</b> 28 miles	<b>Mach E</b> 28 miles  <b>Lightning Standard</b> 19 miles  <b>Lightning Extended</b> 30 miles  <b>E Transit</b> 28 miles
<b>Hours to charge 0-100%</b>	<b>Mach E</b> 10.9 hours  <b>Lightning Standard</b> 10 hours (15-100%)  <b>Lightning Extended</b> 13 hours (15-100%)  <b>E Transit</b> 12 hours	<b>Mach E</b> 10.9 hours  <b>Lightning Standard</b> 10 hours (15-100%)  <b>Lightning Extended</b> 8 hours (15-100%)  <b>E Transit</b> 12 hours
<b>Enables Ford Intelligent Backup Power</b>	N/A	<b>Lightning Extended and Standard Range</b>
<b>WIFI Enabled</b>	Yes	Yes
<b>FordPass™ Connected</b>	Yes	Yes
<b>Output Cord Length</b>	20'	25'



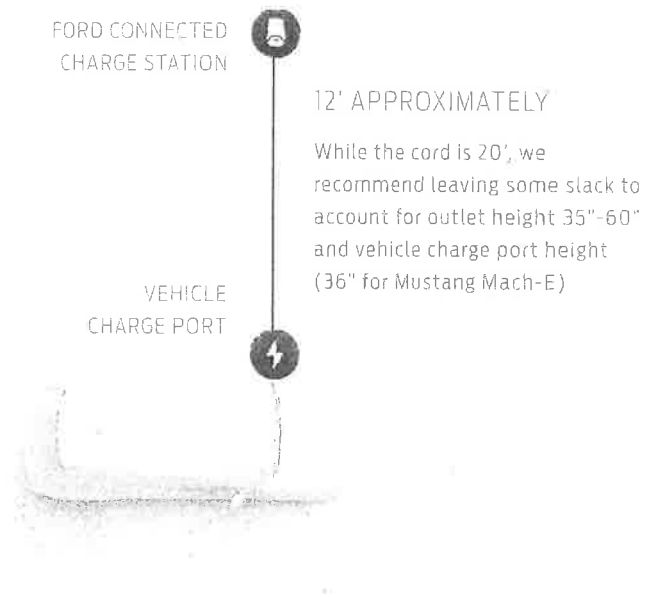
# FORD CONNECTED CHARGE STATION

## HOW TO CHARGE (POST-INSTALLATION)

1. Plug the Ford Connected Charge Station cord set coupler into the vehicle charge port.
2. Download the Ford Charge Station Setup App and follow prompts.
3. If you do not download the setup app, your vehicle will charge when plugged in (unless it is outside of prescheduled charge times) but the connected features will not be available.

## DETAILS

- **CIRCUIT BREAKER**  
60A (Do NOT use GFCI breaker since internal GFCI is included and false tripping will occur)
- **VOLTAGE**  
240 VAC nominal, 2 poles, 60 Hz
- **TWO OPTIONS for WIRE CONFIGURATIONS**  
(1) Three Wire Configuration of L1, L2 and Ground  
(2) Upgraded Four Wire Configuration (for future removal and replacement with a NEMA 14-XX outlet) of L1, L2, Ground and Neutral – Hardwired to junction box
- **CONDUCTORS**  
Follow local and national codes/regulations.
- **VENTILATION**  
Not required.
- **INSTALLATION HEIGHT**  
Between 35" and 60" from ground to device midpoint.
- **CONNECTED SETUP**  
Download Ford Charge Station Setup App and follow prompts.
- **WI-FI ENABLED**  
Ensure Home Wi-Fi signal reaches planned location.



## OTHER RESOURCES

How-To Videos

Charging Basics: <http://ford.to/chargingbasics>

Charging at Home: <http://ford.to/chargingathome>

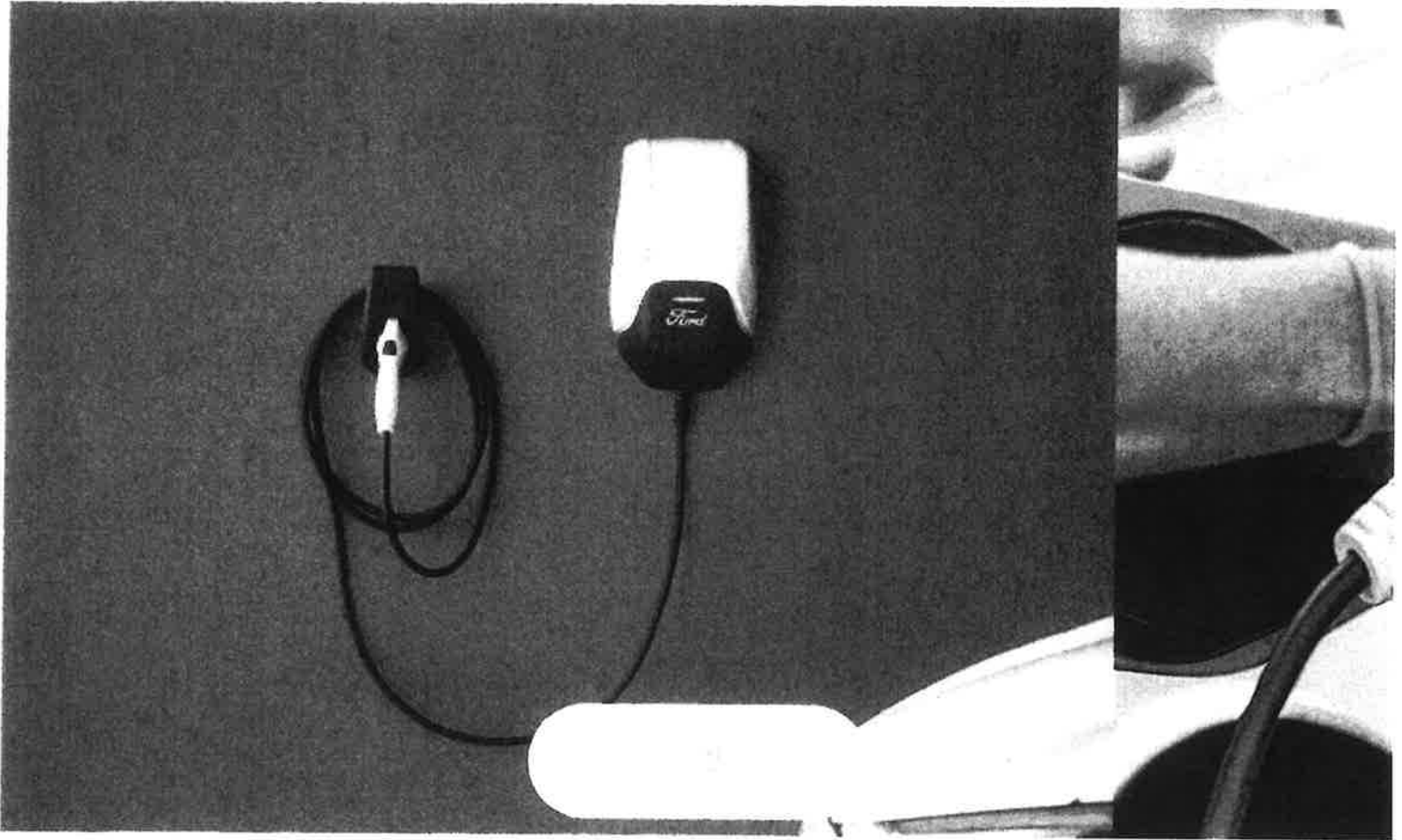
Questions/Assistance?

Ford Customer Relationship Center:

1-800-392-FORD (3673)







## Ford Connected Charge Station

48 amps on demand

Plug in, unwind. Stay connected to the EV that drives you while you do the things that move you.

Recommended for  
**Mustang Mach-E® and E-Transit®**

\$799.00

Sold out

## NOTIFY ME WHEN AVAILABLE

Enter your email address below to receive a notification when this item is restocked

Email address

Email Me



Free shipping and returns  
Estimated delivery  
3 to 5 business days



Contact Us:  
[844-589-0060](tel:844-589-0060)



3-year warranty



### Get Back on the Road Fast

**28 miles**  
per charging hour

**20 miles**

per charging hour

for F-150 Lightning Extended Range

**15 miles**

per charging hour

for E-Transit®

**19 miles**

per charging hour

for F-150 Lightning Standard Range

Designed to be installed wherever you park your Ford EV, the weatherproof 48A Connected Charge Station can charge any current or future electric vehicle in the Ford lineup.

Charger meets the ENERGY STAR® Program Requirements for Electric Vehicle Supply Equipment (EVSE) Version 1.0 and 1.1.

Works with all J1772 plugs (EV-industry standard)

Provides up to 48 amps

Ford's recommended Installer is Qmerit. [Click here.](#)

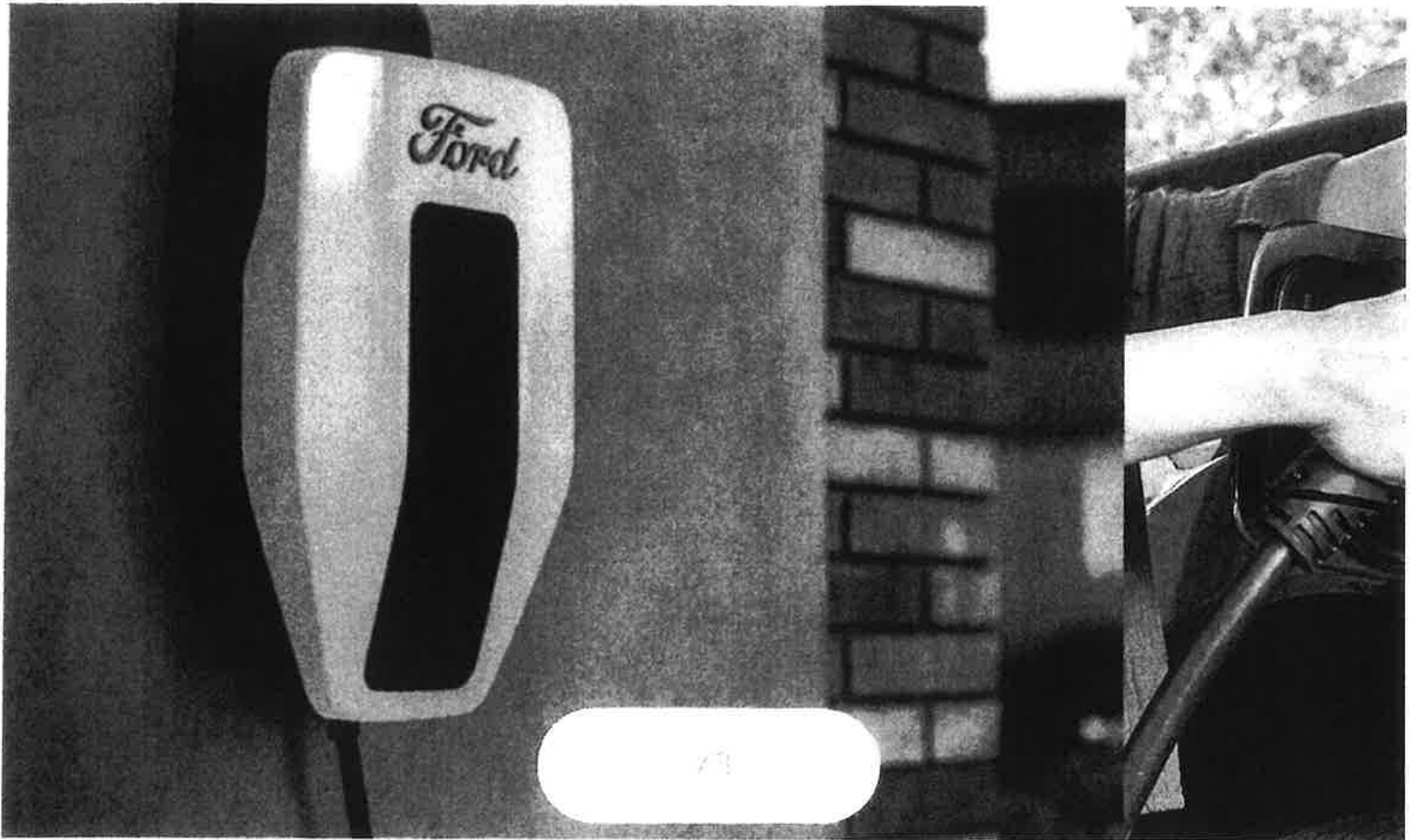
The Ford Connected Charge Station  
20-ft cord and charge coupler  
Remote dock/holster  
Wall-mounting bracket  
User and installation manual

For most EV owners, installing the Ford Connected Charge Station is not a DIY project. For reliable installation from a qualified expert, just reach out to our recommended provider, [Qmerit](#). [They'll send an installation specialist out to get you going on your way.](#)

[Learn about Qmerit](#)

[Installation Guide](#)

Need a replacement part for your Ford Connected Charge Station? Order them [here.](#)



## Ford Charge Station Pro

80 amps on demand

It gives. It takes. It works with you, then for you. Unlock the full potential of the F-150® Lightning™

Enables Intelligent Backup Power

**\$1,310.00**

Included with the purchase of a new F-150® Lightning™ with Extended-Range Battery.

[View product details](#)

[Buy now](#)



Contact Us: [844-589-0060](tel:844-589-0060)



3-year warranty



## Step Up When the Power's Down

If the lights go out, your F-150 Lightning and its [Intelligent Backup Power](#) won't leave you in the dark. Bi-directional power flow harnesses your truck's stored battery power to help power your home when a Charge Station Pro is installed with the Home Integration System.



Get Back on the Road Fast

**30 miles**

# 19 miles

per charging hour

for F-150 Standard Range\*

Industry-standard CCS1 Charge Cord connector which is compatible with all Ford and many other manufacturer's all-electric vehicles.

Provides level 2 charging capability.

Provides up to 80 amps.

Works with the F-150 Lightning and the Home Integration System to provide Intelligent Backup Power to your home during an outage.

Ford's recommended installer is Sunrun. [Click here.](#)



# Ford Pro™ AC Charging Station 48A

<b>Application</b>	Home or Depot	<b>Operating Humidity</b>	5%-95% non-condensing
<b>Current, Rated (AC)</b>	48A	<b>Environmental</b>	NEMA 3R
<b>Voltage, Rated (VAC)</b>	208 / 240VAC	<b>Impact Resistance</b>	IK10
<b>Max Power</b>	11.5kW @ 240VAC 10.0kW @ 208VAC	<b>Altitude</b>	11482ft / 3500m
<b>Type</b>	AC, Level 2	<b>Mounting</b>	Wall / Post (Option) (See post and cable management datasheets for details)
<b>Connector</b>	SAE J1772, Type 1	<b>Wiring Interfaces</b>	Bottom or Back
<b>Wiring</b>	L1, L2, Gnd	<b>Energy Star</b>	Pending
<b>Wiring Type</b>	Hardwired	<b>Warranty</b>	3yr**
<b>Recommended Breaker Sizing for Rated Charger Current</b>	60A		
<b>Current De-Rate Options (Amps AC)</b>	40, 32, 24, 16, 12		
<b>Cable Length</b>	25ft 7.4m		
<b>Cellular</b>	4G LTE (Pre-Configured)		
<b>Wi-Fi</b>	Yes* 802.11 b/g/n		
<b>Ethernet</b>	Yes*		
<b>Energy Meter</b>	±1%		
<b>Cloud Communication</b>	OCPP 1.6J		
<b>HMI</b>	LED Status Indicators		
<b>Dimensions (HxWxD)</b>	14.1 x 10.6 x 5.5in 35.8 x 26.9 x 13.9cm		
<b>Operating Temperature</b>	-31°F to 131°F -35°C to 55°C		
<b>Temperature Range (Storage)</b>	-40 to 140°F -40 to 60°C		
<b>Key Standards and Certifications</b>	US & Canada UL File: #: E354962		



\*Chargers are factory pre-configured with cellular connectivity to simplify product connectivity in the field. If a customer installation requires the use of Wi-Fi or Ethernet for cloud connectivity, please contact Ford Pro support at 1-800-34-FLEET to change product connectivity settings.

\*\*Includes parts and on-site labor.

† The Limited Warranty is being provided by Ford to the person or entity who purchased the Product from Ford ("Buyer") and, subject to the product terms and conditions, covers any defect in the Product which can be directly and exclusively attributed to design, workmanship or material defect of the Product for a period of three (3) years after the Warranty Starting Date. Warranty start date is the date of shipment unless installed at a commercial location by a Ford Pro Designated Installer. If Ford Pro Designated installed, the start date is the earlier of: (i) the date the Product is installed at the Buyer's site; or (ii) the date that is six (6) months after the date the Product is shipped to Buyer. Other conditions apply.

‡ Technical information subject to change.





## Your Cart

Items

Price

Quantity

Total



Part No: FPC-AC0019ZC-UEA  
Ford Pro™ AC Charging Station 48A

Remove X

\$1,399.00

\$1,399.00

Subtotal

**\$1,399.00**

## Shipping

**\$30.00**

[Return to Products](#)

## About

[About Ford Pro](#)

[Sustainability & Alternative Fuels](#)

[Inflation Reduction Act](#)

## Support

[FAQ](#)

[Contact Us](#)

[Accessibility](#) [↗](#)

[Interest-Based Ads](#)

[Site Map](#)

## Resources



# Ford Pro™ AC Charging Station 80A

Application	Depot	Environmental	NEMA 3R
Current, Rated (AC)	80A	Impact Resistance	IK10
Voltage, Rated (VAC)	208 / 240VAC	Altitude	11482ft/3500m
Max Power	19.2kW @ 240VAC 16.6kW @ 208VAC	Operating Humidity	5% - 95% non-condensing
Type	AC, Level 2	Mounting	Wall / Post (Option) (See post and cable management datasheets for details)
Connector	SAE J1772, Type 1	Wiring Interfaces	Bottom or Back
Wiring	L1, L2, Gnd	Certifications	US, Canada
Wiring Type	Hardwired	Energy Star	Yes
Current De-Rate Options (Amps AC)	72, 48, 40, 32, 24, 16, 12	Warranty	3yr**
Cable Length	25ft 7.4m		
Bluetooth	N/A		
Cellular	4G LTE (Pre-Configured)		
Wifi	Yes* 802.11 b/g/n		
Ethernet	Yes*		
Home Integration System / Intelligent Backup Power Compatible	N/A		
Communication	OCPP 1.6J		
HMI	LED Status Indicators		
Dimensions (HxWxD)	14.1 x 10.6 x 5.5in 35.8 x 26.9 x 13.9cm		
Operating Temperature	-31°F to 131°F -35°C to 55°C		
Temperature Range (Storage)	-40 to 140°F -40 to 60°C		
Key Standards and Certifications	US & Canada UL File: #: E354962		



\*Chargers are factory pre-configured with cellular connectivity to simplify product connectivity in the field. If a customer installation requires the use of Wi-Fi or Ethernet for cloud connectivity, please contact Ford Pro support at 1-800-34-FLEET to change product connectivity settings.

\*\*Includes parts and on-site labor.

1 The Limited Warranty is being provided by Ford to the person or entity who purchased the Product from Ford ("Buyer") and, subject to the product terms and conditions, covers any defect in the Product which can be directly and exclusively attributed to design, workmanship or material defect of the Product for a period of three (3) years after the Warranty Starting Date. Warranty start date is the date of shipment unless installed at a commercial location by a Ford Pro Designated Installer. If Ford Pro Designated installed, the start date is the earlier of: (i) the date the Product is installed at the Buyer's site; or (ii) the date that is six (6) months after the date the Product is shipped to Buyer. Other conditions apply.

2 Technical information subject to change.



## Your Cart

Items

Price

Quantity

Total



Part No: FPC-AC0019ZC-UDB  
Ford Pro™ AC Charging Station 80A

Remove X

\$1,999.00

\$1,999.00

Subtotal

**\$1,999.00**

## Shipping

**\$30.00**

Product Page

[Return to Products](#)

## About

[About Ford Pro](#)


[Sustainability & Alternative Fuels](#)

[Inflation Reduction Act](#)

## Support

[FAQ](#)

[Contact Us](#)

[Accessibility](#) 

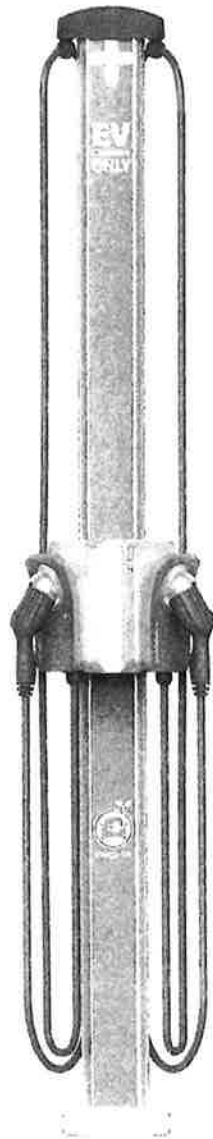
[Interest-Based Ads](#)

[Site Map](#)

## Resources

# ChargePoint® CPF50 Level 2 Charging Stations for Fleet

Specifications and Ordering Information



## Ordering Information

The order codes below represent specific product configurations. Other product options are available. Please contact ChargePoint Sales for information and order codes.

### Hardware

Description	Order Code
Model	
Single Port, Wall Mount, 5.4m (18') Cable	CPF50-L18
Single Port, Pedestal Mount, 5.4m (18') Cable	CPF50-L18-PEDMNT
Dual Port, Pedestal Mount, 5.4m (18') Cable	CPF50-L18-PEDMNT-Dual
Single Port, Pedestal 5.4m (18') Cable with 6' Cable Management Kit	CPF50-L18-PEDMNT-CMK6
Dual Port, Pedestal, 5.4m (18') Cable with 6' Cable Management Kit	CPF50-L18-PEDMNT-CMK-Dual
Single Port, Wall, 5.4m (18') Cable with 6' Cable Management Kit	CPF50-L17-WALLMNT-CMK6
Single Port, Wall Mount, 7.0m (23') Cable	CPF50-L23
Single Port, Pedestal, 7.0m (23') Cable with 8' Cable Management Kit	CPF50-L23-PEDMNT
Dual Port, Pedestal Mount, 7.0m (23') Cable	CPF50-L23-PEDMNT-Dual
Single Port, Pedestal, 7.0m (23') Cable with 8' Cable Management Kit	CPF50-L23-PEDMNT-CMK8
Dual Port, Pedestal, 7.0m (23') Cable with 8' Cable Management Kit	CPF50-L23-PEDMNT-CMK8-Dual
Single Port, Wall, 7.0m (23') Cable with 8' Cable Management Kit	CPF50-L23-WALLMNT-CMK8
Replacement Cable	
5.4m (18'), 50A, Charging Cable	CPFCABLE-T1-50A-L18-F
5.4m (18'), 50A, Charging Cable, CMK version	CPFCABLE-T1-50A-L18-CMK-F
7.0m (23'), 50A, Charging Cable	CPxCABLE-T1-50A-L18-F
7.0m (23'), 50A, Charging Cable, CMK version	CPFCABLE-T1-50A-L23-CMK-F

## Required Companion Products

Description	Order Code
ChargePoint Cloud Plan	Please contact ChargePoint sales
ChargePoint Gateway* (1 required for every 9 stations)	CPGW1-LTE

\* The ChargePoint Gateway is required for all CPF50 installations. ChargePoint certified installers will do a site validation and order the ChargePoint Gateway as needed. In addition, the site host is responsible for providing power to the gateway. The ChargePoint Gateway is owned and maintained by ChargePoint.

The Gateway should be located where cellular signal levels are optimal for LTE. Each Gateway must be located within 150 feet line-of-sight to as many as nine (9) CPF50 charging stations. Each CPF50 charging station has built-in WiFi capability to communicate via the Gateway for ChargePoint network services.

The Gateway is a UL Class 2 device and requires less than four watts power (33 mA@120 V or 19 mA@208 V). ChargePoint recommends hardwire electrical termination to the power source for the Gateway. The Gateway dimensions are 280 mm (11 in) wide by 340 mm (13 3/8 in) long by 137 mm (5 3/8 in) deep.

## Recommended Companion Products for Fleet Applications

Description	Order Code
Station Initial Activation	CPSUPPORT-ACTIVE
ChargePoint Assure	CPF-ASSURE- <i>n</i> *

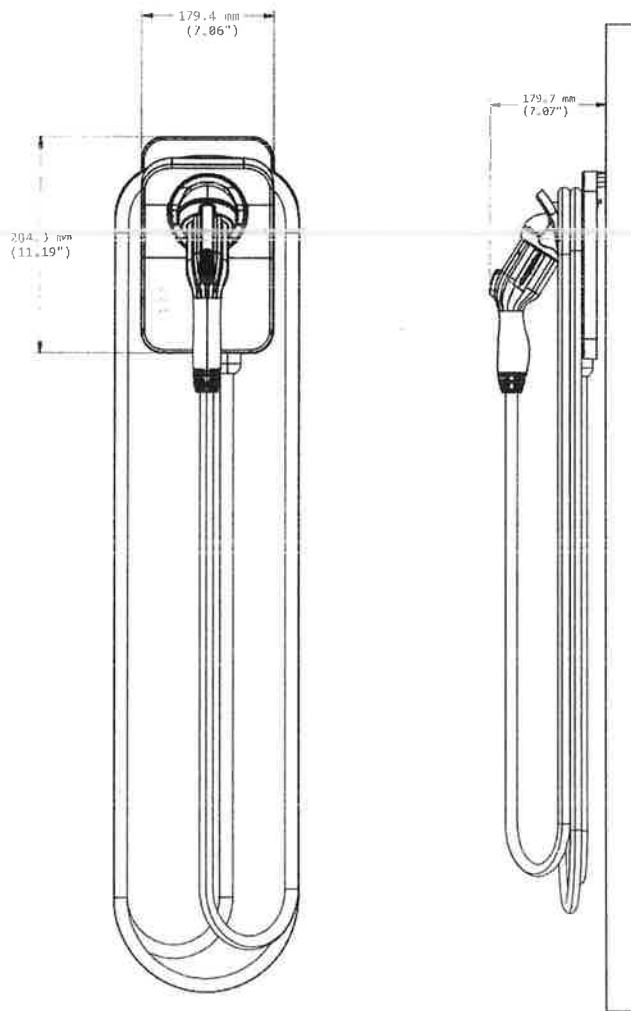
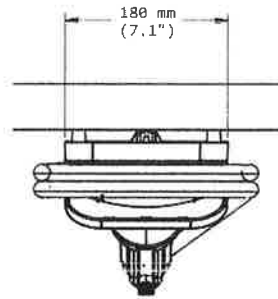
\*Substitute *n* for desired years of service (1, 2, 3, 4 or 5)



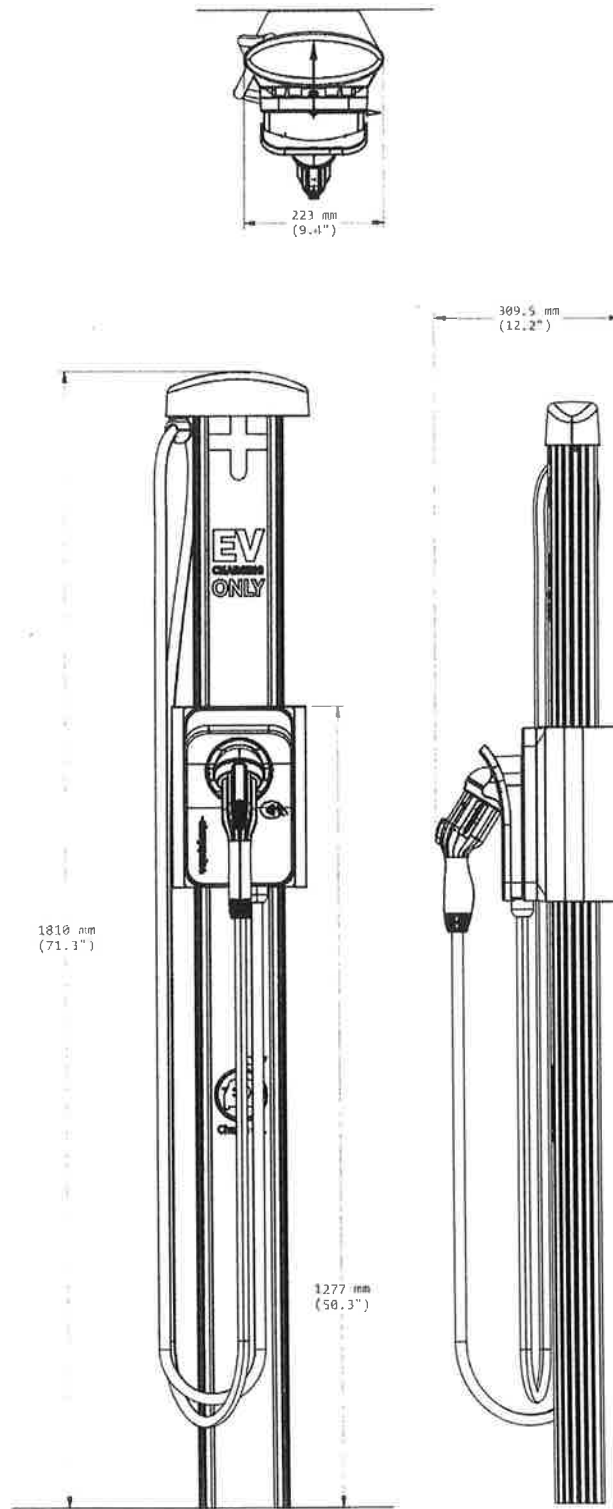
# Architectural Drawings (Dimensions)

Single Wall Mount

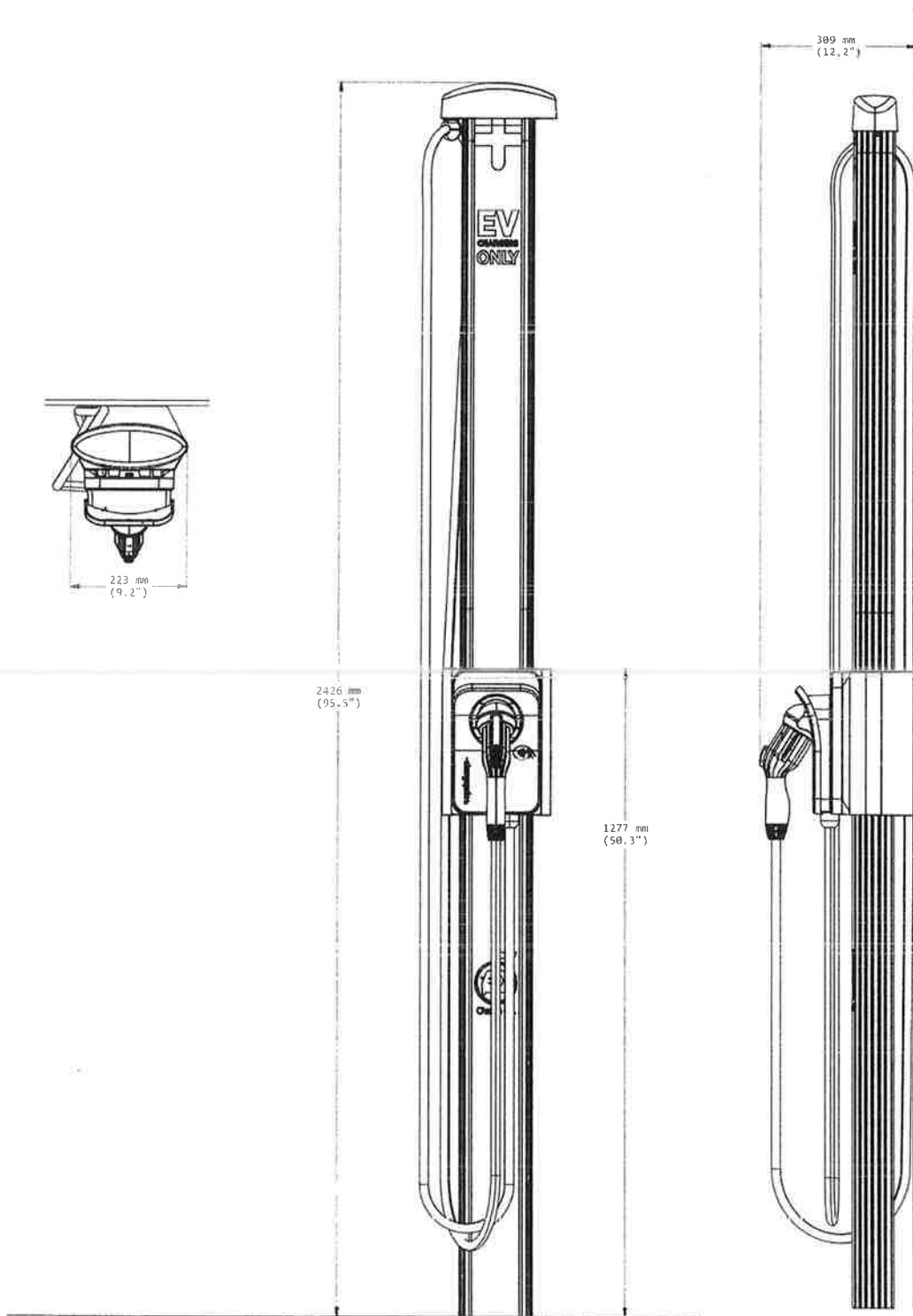
CPF50-L23



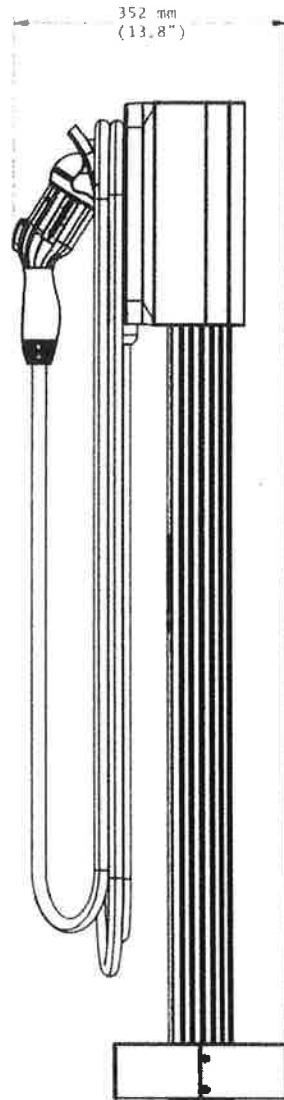
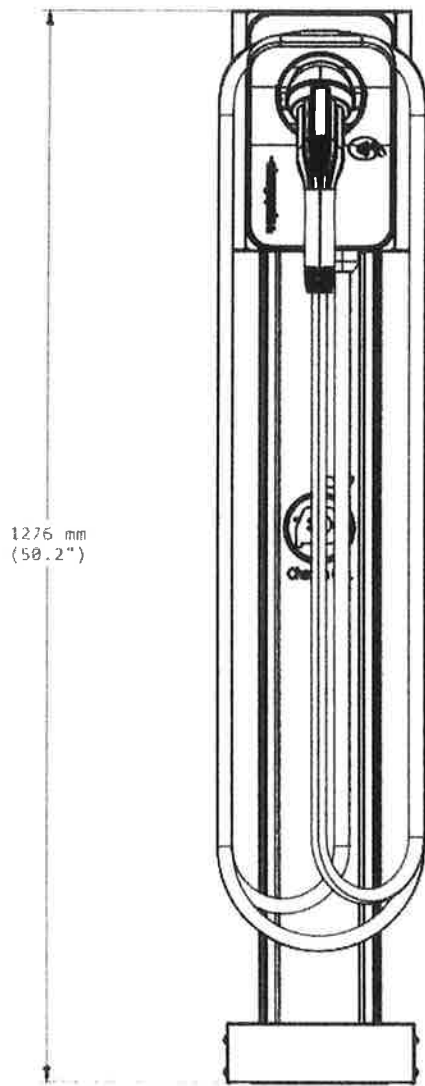
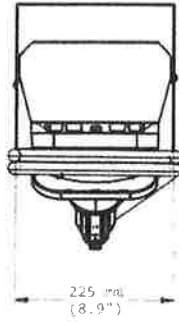
Single Wall Mount with Cable Management Kit  
CPF50-L17-WALLMNT-CMK6R (6 ft)



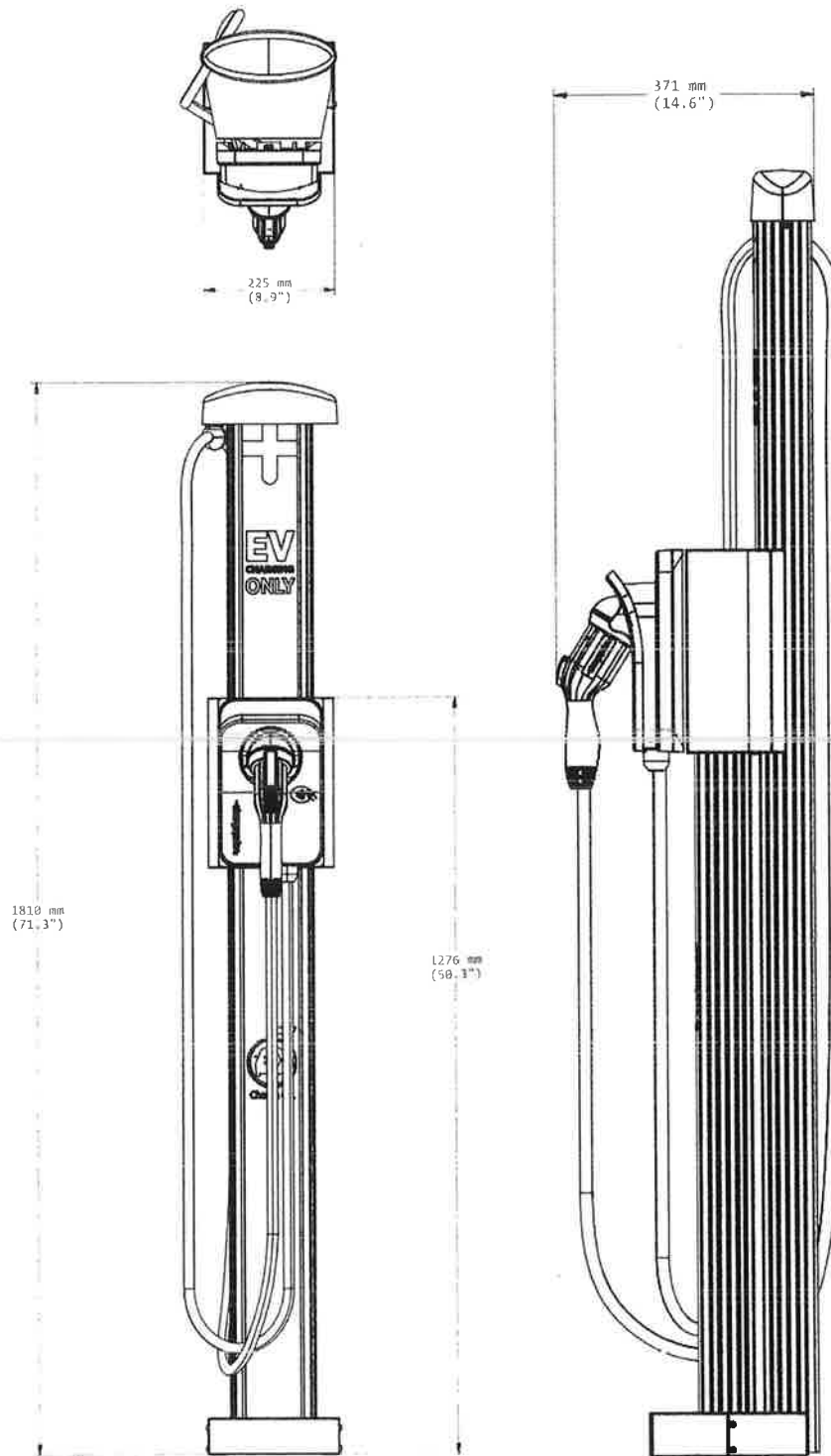
Single Wall Mount with Cable Management Kit  
CPF50-L23-WALLMNT-CMK3F (8 ft)



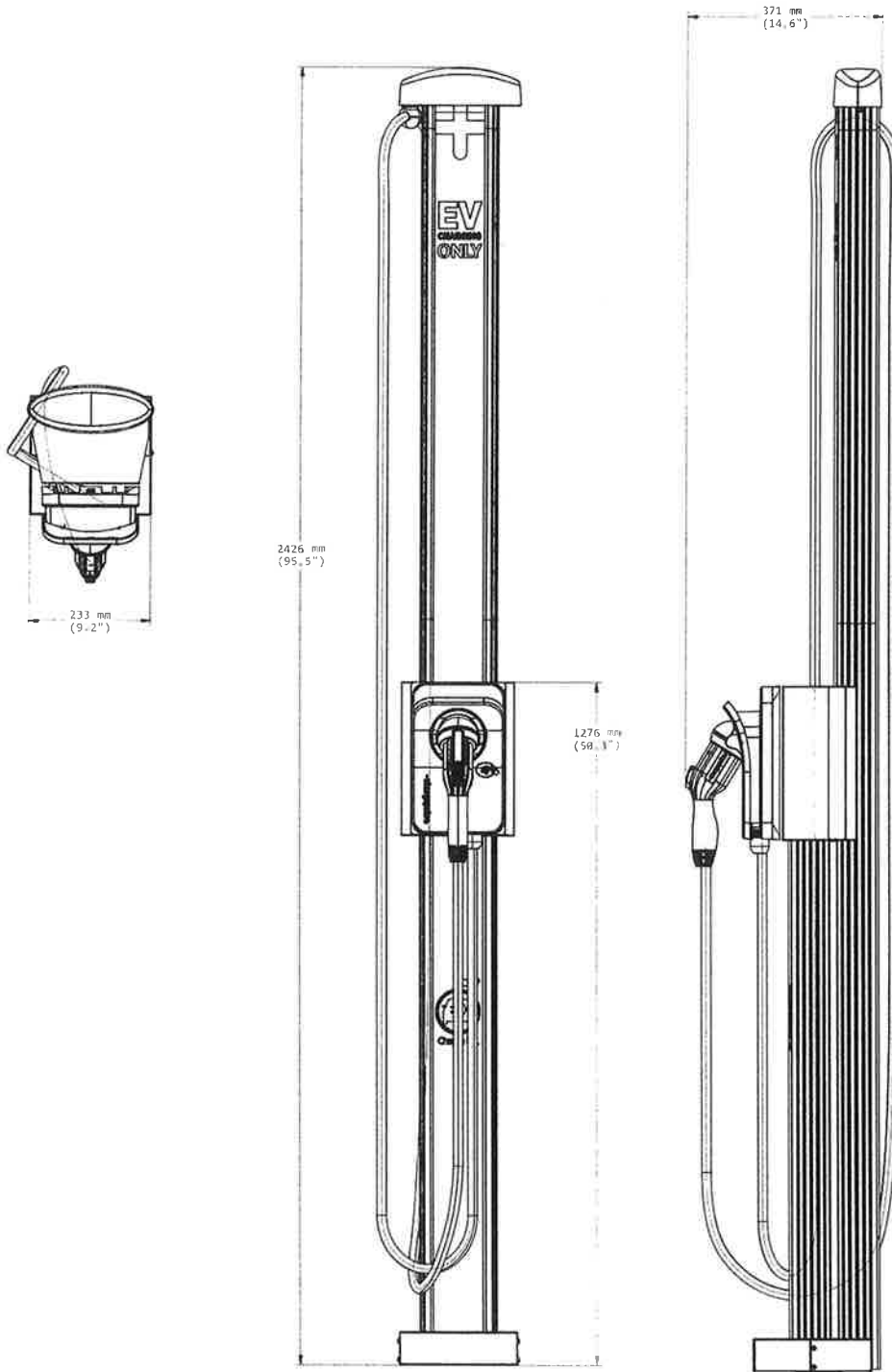
Single Pedestal Mount  
CPF50-L23



Single Pedestal Mount with Cable Management Kit  
CPF50-L18-PEJMNT-CMK6 (6 ft)

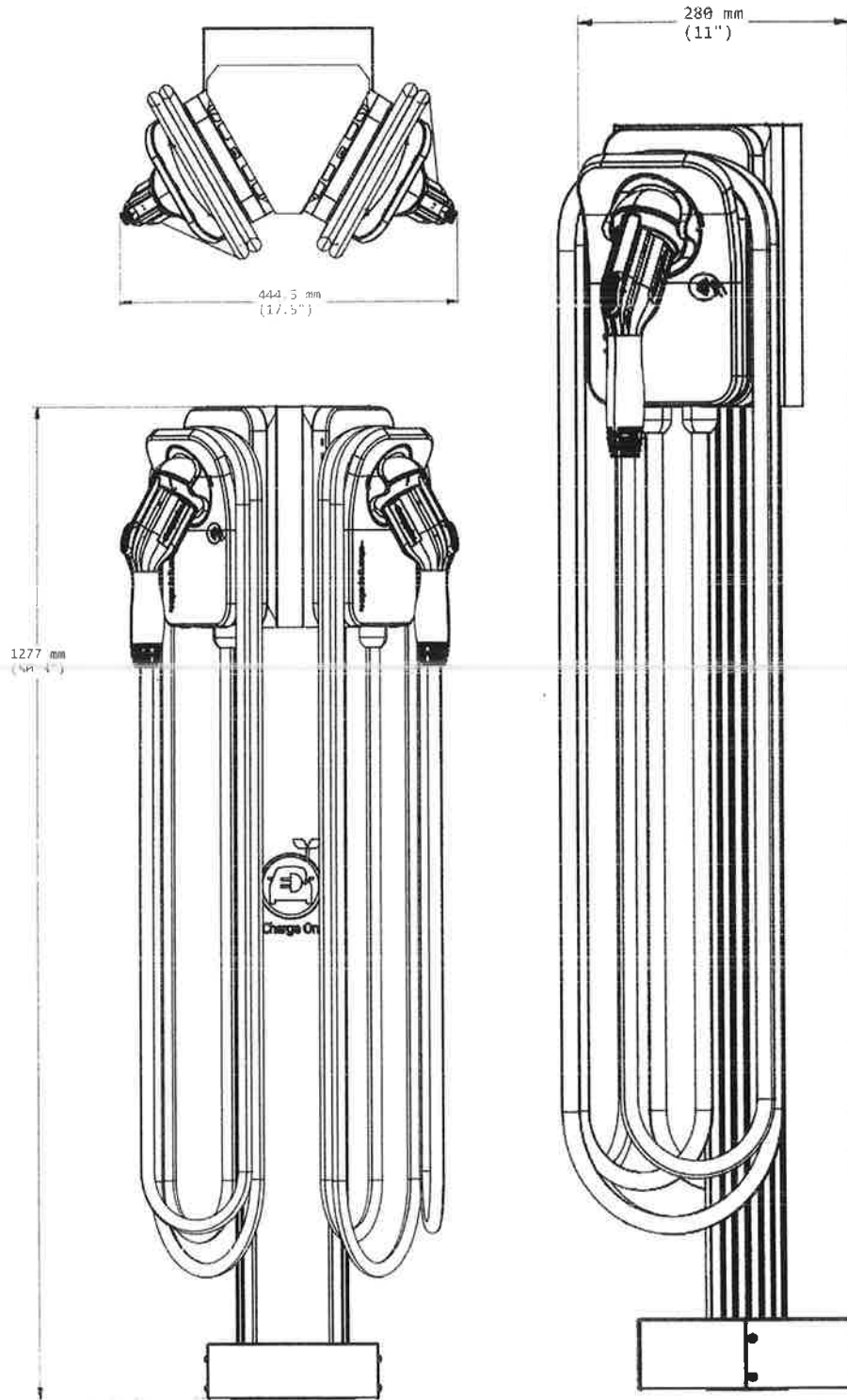


Single Pedestal Mount with Cable Management Kit  
CPF50-L23-PEDMNT-CMK3 (8 ft)

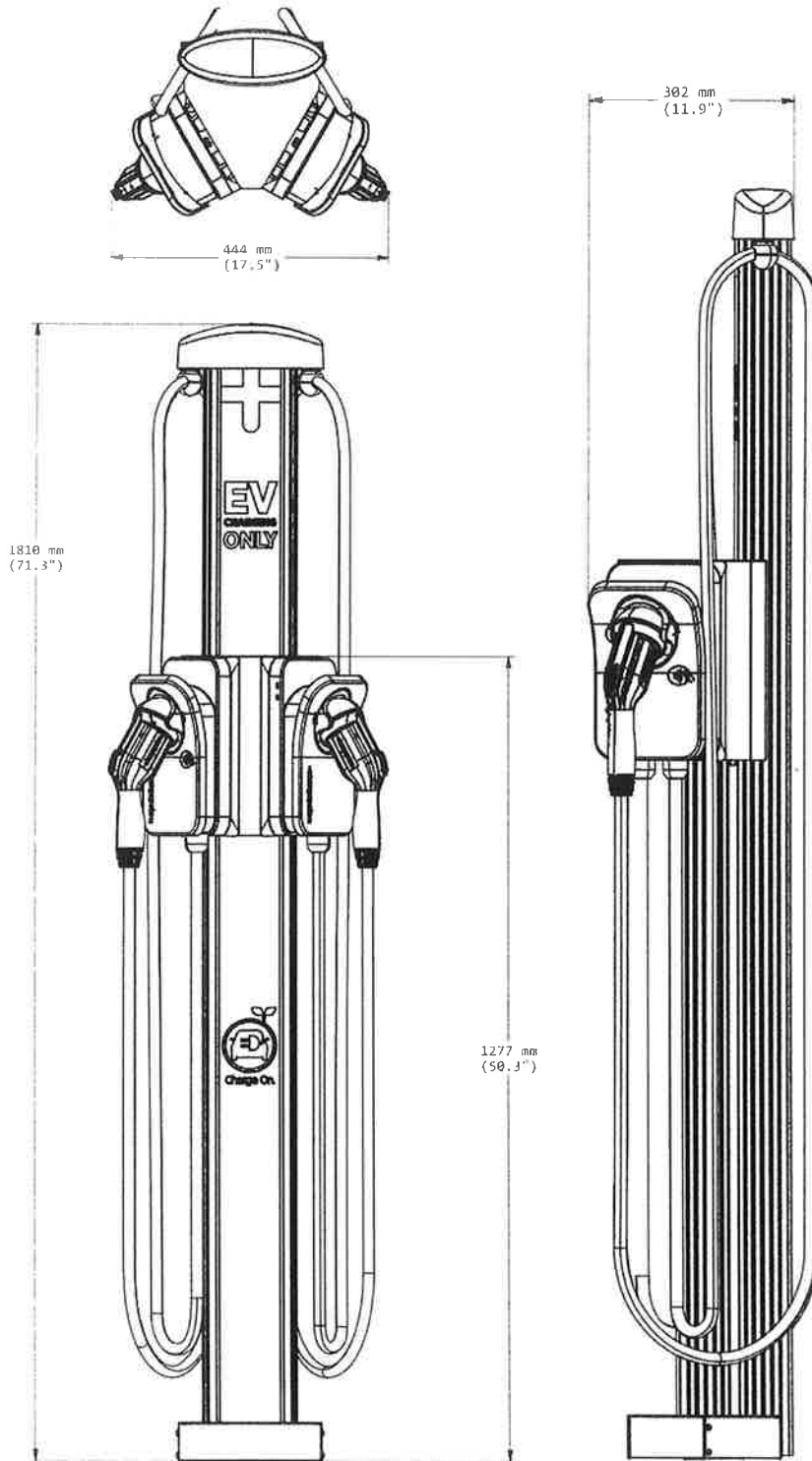


Dual Pedestal Mount

CPF50-L23-PEDMNT-Dual

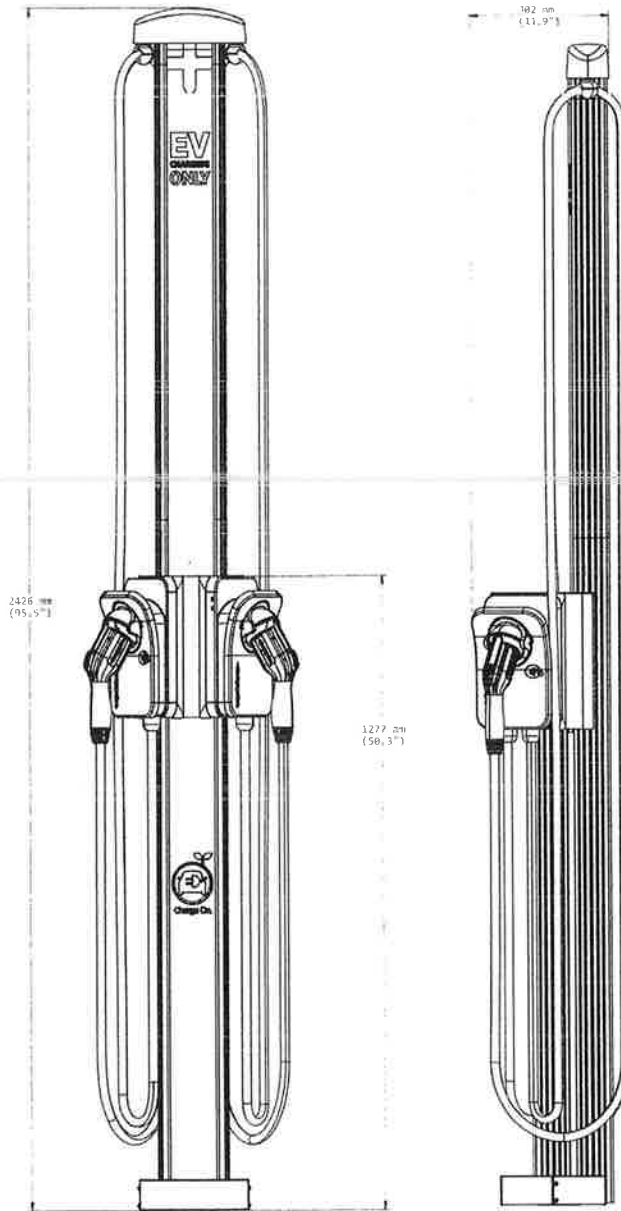
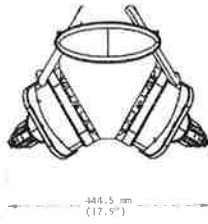


Dual Pedestal Mount with Cable Management Kit  
CPF50-L17-PEDMNT-CMK6-Dual (6 ft)





Dual Pedestal Mount with Cable Management Kit  
CPF50-L23-PEDMNT-CMK3-Dual (8 ft)



# Quotation

Quote# GFD52654  
 Date: 5/19/2023  
 Expires 6/30/2023

REXEL ENERGY SOLUTIONS

Bill To Address:  
 Geneva Fire Department  
 200 East Side Dr  
 Geneva, IL 60134

Ship To Address:  
 Geneva Fire Department  
 200 East Side Dr  
 Geneva, IL 60134

Attention: Dustin Schultze



QTY	Item #	Description	MSRP	Buy Price	EXT MSRP	Ext Buy Price
<b>CPF50 (Level 2 - 12kW)</b>						
1	CPF50-L18-PEDMNT-CMK6	Single Port, Pedestal Mount, 50A, Type 1, Cable 18', Single Phase Charger with 6' Cable Management Kit, Unit ships in 4 separate boxes. See invoice or packing slip for details.	\$ 3,990	\$ 3,192	\$ 3,990	\$ 3,192
1	CPGW1-L1E	The ChargePoint Gateway provides connectivity for CPF25 and CPF50 to ChargePoint's Cloud via a cell to Wi-Fi modem. One gateway can provide connectivity up to 9 CPF25/CPF50 ports that are within 150 feet line of sight of the gateway. A gateway must be ordered for a new site, or if the site exceeds more than 9 ports, or if the CPF25/CPF50 is installed more than 150 feet from the existing gateway.	\$ -	\$ -	\$ -	\$ -
1	CPCLD-POWER-S	5 years prepaid Power Cloud Plan subscription with station management features such as Basic Fleet Vehicle Management, Automatic Software Updates, and basic Power Sharing. Real-time dashboards and reports provided for applicable features. Station Activation purchase required.	\$ 1,035	\$ 983	\$ 1,035	\$ 983
1	CPF-ASSURES	5 prepaid years of ChargePoint Assure for CPF station. Includes Parts and Labor Warranty, Remote Technical Support, On-Site Repairs when needed, Unlimited Configuration Changes, and Reporting.	\$ 710	\$ 675	\$ 710	\$ 675
1	CPF-ACTIVE	Initial Station Activation & Configuration Service for CPF - Activation of cloud services and configuration of radio groups, custom groups, connections, access control, visibility control, pricing, reports and alerts. One time initial service per port.	\$ 100	\$ 95	\$ 100	\$ 95
1	CP-SUPPORT-SITEVALID	Customer works with their own contractor to perform all construction and station installation services. ChargePoint will then engage an authorized ChargePoint Partner to perform Site Validation of electrical capacity, transformers, panels, breakers, wiring, cellular coverage and that the station installation meets all ChargePoint published requirements and local codes. Upon successful Site Validation, the customer will be eligible to obtain warranty coverage under a ChargePoint Maintenance plan, sold separately. Note, a failed Site Validation will incur a second validation fee to repeat the validation after the site deficiencies are corrected. Priced per AC station.	\$ 630	\$ -	\$ 630	\$ -
<b>TOTAL</b>					\$ 6,465	\$ 4,945
<b>ESTIMATED SHIPPING</b>					\$ 140	\$ 140
<b>GRAND TOTAL (EXCLUDING TAX)</b>					\$ 6,605	\$ 5,085

By signing this quote I hereby acknowledge that I have the authority to purchase the product detailed on this document on behalf of my organization. Furthermore, I agree to the below terms and conditions and that this signed quote shall act as a purchase order.

Signature

Title

Name (Print)

Date

Company Name

Accounts Payable Contact Name

Accounts Payable Contact Email

Requested Ship Date

All sales are pursuant to our terms and conditions [https://www.rexelusa.com/terms/Rexel%20USA%20Inc.%20Terms%20Conditions%20of%20Sale%20\(Rex.%2004-06-2020\).pdf](https://www.rexelusa.com/terms/Rexel%20USA%20Inc.%20Terms%20Conditions%20of%20Sale%20(Rex.%2004-06-2020).pdf)  
 Applicable taxes and freight extra - All Products are subject to manufacturers return conditions.

All product returns subject to Manufacturers Terms & Conditions

**THE US GOVERNMENT HAS IMPLEMENTED AN ADDITIONAL AD VALOREM DUTY OF UP TO TWENTY FIVE PERCENT (25%) ON CERTAIN PRODUCTS. REXEL USA IS WORKING WITH MANUFACTURERS AND SUPPLIERS TO UNDERSTAND THE IMPACT OF THIS DECISION, INCLUDING THE SPECIFIC PRODUCTS SUBJECT TO SUCH ADDITIONAL DUTIES AND RESULTING PRICE INCREASES ON THE PRODUCTS IT SELLS.**  
 ACCORDINGLY, ALL ITEMS COVERED BY THIS QUOTATION ARE SUBJECT TO PRICE INCREASES IN EFFECT THROUGH TIME OF SHIPMENT, INCLUDING ANY RESULTING FROM ANY ADDITIONAL AD VALOREM DUTY IMPOSED BY THE US GOVERNMENT. ALL PRODUCTS OR ITEMS SET FORTH ON THIS QUOTATION ARE SUBJECT TO PRICE INCREASES THROUGH TIME OF SHIPMENT UNLESS THIS QUOTATION EXPRESSLY STATES THAT PRICING FOR ANY SUCH PRODUCTS OR ITEMS IS FIRM/FIXED.



# Quotation

Driving a Better Way™  
chargepoint.com

**Sales Representative:** Jaimee Auger  
**E-Mail:** jaimee.auger@chargepoint.com  
**Telephone:**

**Quote Number:** Q-309869-1  
**Date:** 5/19/2023  
**Expires On:** 6/18/2023

**Primary Contact:** Dustin Schultze

## Bill To Address

## Ship To Address

Geneva Fire Department  
2530 Fargo Blvd  
Geneva Illinois 60134  
United States

Geneva Fire Department  
2530 Fargo Blvd  
Geneva Illinois 60134  
United States

Product Name	Product Description	Qty	List Price	Disc%	Unit Price	Total Price
CPF50-L18- PEDMNT-CMK6	Single Port, Pedestal Mount, 50A, Type 1, Cable 18', Single Phase Charger with 6' Cable Management Kit. Unit ships in 4 separate boxes. See invoice or packing slip for details.	1	USD 3,990.00	0	USD 3,990.00	USD 3,990.00
CPGW1-LTE	The ChargePoint Gateway provides connectivity for CPF25 and CPF50 to ChargePoint's Cloud via a cell to Wi-Fi modem. One gateway can provide connectivity up-to 9 CPF25/CPF50 ports that are within 150 feet line of sight of the gateway. A gateway must be ordered for a new site, or if the site exceeds more than 9 ports, or if the CPF25/CPF50 is installed more than 150 feet from the existing gateway.	1	USD 0.00	0	USD 0.00	USD 0.00
CPCLD-POWER-5	Prepaid Power Cloud Plan subscription with station management features such as Basic Fleet Vehicle Management, Automatic Software Updates, and basic Power Sharing. Real-time dashboards and reports provided for applicable features. Station Activation purchase required.	1	USD 1,035.00	0	USD 1,035.00	USD 1,035.00
CPF-ASSURE5	5 prepaid years of ChargePoint Assure. for CPF stations. Includes Parts and Labor Warranty, Remote Technical Support, On-Site Repairs when needed, Unlimited Configuration Changes, and Reporting.	1.00	USD 710.00	0.0	USD 710.00	USD 710.00



Product Name	Product Description	Qty	List Price	Disc%	Unit Price	Total Price
CPF-ACTIVE	Initial Station Activation & Configuration Service for CPF - Activation of cloud services and configuration of radio groups, custom groups, connections, access control, visibility control, pricing, reports, and alerts. One time initial service per station.	1	USD 100.00	0	USD 100.00	USD 100.00
CPSUPPORT-SITEVALID	Customer works with their own contractor to perform all construction and station installation services. ChargePoint will then engage an authorized ChargePoint Partner to perform Site Validation of electrical capacity, transformers, panels, breakers, wiring, cellular coverage and that the station installation meets all ChargePoint published requirements and local codes. Upon successful Site Validation, the customer will be eligible to obtain warranty coverage under a ChargePoint Maintenance plan, sold separately. Note, a failed Site Validation will incur a second validation fee to repeat the validation after the site deficiencies are corrected. Priced per site.	1	USD 630.00	0	USD 630.00	USD 630.00

**Quote Total:** USD 6,465.00  
**Shipping Fee:** USD 200.00  
**Grand Total:** USD 6,665.00

- + Invoices are Net 30 from invoice date.
- + Each Assure and Cloud Services subscription that you purchase for a Charging Station will commence ninety (90) days from the date the Charging Station associated with that subscription is shipped to you and will last for the subscription length selected in the applicable order.
- + All pricing is confidential between Customer and ChargePoint.
- + All prices are FCA ChargePoint warehouse(s).
- + Customer to be invoiced at time of shipment.
- + Sales tax in applicable states and shipping costs will be applied to this quote at time of invoicing.
- + Credit Checks are required for new customers.
- + Pricing does not include installation or mounting services unless specifically quoted above.
- + Additional Purchase Terms and Conditions can be found at <http://www.chargepoint.com/termsandconditions>
- + Additional terms and conditions for ChargePoint Assure can be found at <http://www.chargepoint.com/legal/assure>
- + Purchaser confirms that the shipping and billing information provided in the Quotation is accurate for ChargePoint's shipping and invoicing purposes.

**By signing this quote I hereby acknowledge that I have the authority to purchase the product detailed on this document on behalf of my organization. Furthermore, I agree to the above terms and conditions and that this signed quote shall act as a purchase order.**



Signature :

Title :

Name (Print) :

Date :

Company Name :

Accounts Payable Contact Name :

Accounts Payable Contact E-Mail :

**Requested Ship Date :**

Date: May 31, 2023

Quote: GRAYBAR23-56261-2

# Quote



GRAYBAR ELECTRIC  
900 REGENCY DRIVE  
GLENDALE HEIGHTS IL 60139  
Phone: (630) 893-3600  
Fax:  
From: WENDELL LANPHEAR  
Quote Ph:  
email: WENDELL.LANPHEAR@GRAYBAR.COM

**Project** GENEVA FIRE DEPARTMENT-00 EASTSIDE DRIVE GENEVA IL  
**Location** 60134 - GEAR - EV CHARGING STATION

**Quote** GRAYBAR23-56261-2

**To:** elliot cole  
900 REGENCY DRIVE  
GLENDALE HEIGHTS IL 60139  
Email: ELLIOTT.COLE@GRAYBAR.CO  
**For**  
**Bid Date** May 22, 2023  
**Expires** Jun 21, 2023

QTY	Type	MFG	Part	Lead Time	Price UQ	ExtPrice	
Note							
1	EV	CHARGEPOINT	CPFF50-L18-PEDMNT-CMK6	CHARGEPOINT FLEET			
			CHARGER				
		<b>Description:</b>	"Single Port, Pedestal Mount, 50A, Type 1, Cable 18', Single Phase Charger with 6' Cable Management Kit.				
1		CHARGEPOINT	CPGW1-LTE		(included)	-	
		<b>Description:</b>	The ChargePoint Gateway provides connectivity for CPF25 and CPF50 to ChargePoint's Cloud via a cell to Wi-Fi modem. One gateway can provide connectivity up-to 9 CPF25/CPF50 ports that are within 150 feet line of sight of the gateway. A gateway must be ordered for a new site, or if the site exceeds more than 9 ports, or if the CPF25/CPF50 is installed more than 150 feet from the existing gateway.				
1		CHARGEPOINT	CPF25-CCM		\$80.00	\$80.00	
		<b>Description:</b>	Concrete Mounting Hardware Kit				
1		CHARGEPOINT	CPCLD-FLEETENT-5		\$1,980.00	\$1,980.00	
		<b>Description:</b>	Fleet Enterprise Cloud Plan subscription. Includes advanced station management features such as: Automatic Software Updates, fleet management features including: Access Control and Pricing & Automatic Payment Collection, as well as advanced energy and power management features which include: Time of Use Power Sharing and Energy Management APIs. Real-time dashboards and reports provided for applicable features including 15 min meter data readings and associated advanced energy reports.				
1		CHARGEPOINT	CPF-ASSURES		\$710.00	\$710.00	
		<b>Description:</b>	5 prepaid years of ChargePoint Assure. for CPF stations. Includes Parts and Labor Warranty, Remote Technical Support, On-Site Repairs when needed, Unlimited Configuration Changes, and Reporting.				

Date: May 31, 2023

Quote: GRAYBAR23-56261-2

# Quote

Page 2/3



GRAYBAR ELECTRIC  
900 REGENCY DRIVE  
GLENDALE HEIGHTS IL 60139  
Phone: (630) 893-3600  
Fax:

From: WENDELL LANPHEAR

Quoter Ph:

email: WENDELL.LANPHEAR@GRAYBAR.COM

Price UQ ExpPrice

QTY	Type	MFG	Part	Lead Time
1		CHARGEPOINT	CPSUPPORT-SITEVALID	
<b>Line Note:</b> Customer works with their own contractor to perform all construction and station installation services. ChargePoint will then engage an authorized ChargePoint Partner to perform Site Validation of electrical capacity, transformers, panels, breakers, wiring, cellular coverage and that the station installation meets all ChargePoint published requirements and local codes. Upon successful Site Validation, the customer will be eligible to obtain warranty coverage under a ChargePoint Maintenance plan, sold separately. Note, a failed Site Validation will incur a second validation fee to repeat the validation after the site deficiencies are corrected. Priced per AC station. SITE VALIDATION IS FREE IF PURCHASING CPF-ASSURE5				
		CHARGEPOINT	CPF-ACTIVE	
<b>Description:</b> Fleet Application Only - Initial Station Activation & Configuration Service - Activation of cloud services and configuration of radio groups, custom groups, connections, access control, visibility control, pricing, reports and alerts. One time initial service per station port.				
			<b>Total:</b>	<b>\$6,225.00</b>

### Terms and conditions of sale:

\*\*\* THIS PROPOSAL DOES NOT COMPLY WITH BUY AMERICA/BUY AMERICAN ACT REQUIREMENTS (IF REQUIRED) UNLESS OTHERWISE NOTED \*\*\*

QUOTATION / BILL OF MATERIAL IS SUBJECT TO APPROVAL - QUOTED PER BEST INTERPRETATION OF PROVIDED REFERENCE MATERIAL. AN DEVIATION VOIDS QUOTE. EXTRA MATERIAL, ATTIC STOCK OR MATERIAL FOR EXISTING EQUIPMENT IS NOT INCLUDED, UNLESS NOTED. QUO PRICING BASED ON SINGLE RELEASE DIRECT SHIPMENTS, MULTIPLE SHIPMENTS WILL INCUR ADDITIONAL CHARGES. STORAGE AND STAGIN ARE NOT INCLUDED IN PRICING, UNLESS OTHERWISE NOTED.

GRAYBAR STANDARD TERMS AND CONDITIONS APPLY. FACTORY TERMS AND CONDITIONS APPLY. TAX NOT INCLUDED. LIFTGATE DELIVERY ANY OTHER SPECIAL SHIPPING REQUIREMENTS (I.E. NO UPS) WILL BE ADDITIONAL CHARGE. ANY START-UP, TESTING, SHORT CIRCUIT, OR FAULT CURRENT STUDIES, IF REQUIRED, ARE NOT INCLUDED UNLESS OTHERWISE NOTED. NO ADDENDUMS RECEIVED AT TIME OF QUOTE UNLESS OTHERWISE NOTED. WARRANTY IS FROM DATE OF SHIPMENT. MADE TO ORDER ITEMS ARE - NON CANCELABLE - NON RETURNABLE. ANY RETURNED MATERIAL MUST BE MADE IN ORIGINAL PACKAGING AND ARE SUBJECT TO A RESTOCKING FEE.

GRAYBAR IS NOT ACCOUNTABLE FOR DELAYS IN DELIVERY OCCASIONED BY ACTS OF GOD, FAILURE OF ITS SUPPLIERS TO SHIP OR DELIVER ON TIME, OR OTHER CIRCUMSTANCES BEYOND GRAYBAR'S REASONABLE CONTROL, INCLUDING, BUT NOT LIMITED TO, SOURCING, SHIPMEN OR DELIVERY ISSUES CAUSED BY, RELATED TO, OR RESULTING FROM COVID-19 OR OTHER SIMILAR NATIONAL OR GLOBAL HEALTH SITUATI

GRAYBAR WENDELL LANPHEAR

Date: May 31, 2023

Quote: GRAYBAR23-56261-2



**Quote**

Page 3/3

GRAYBAR ELECTRIC  
900 REGENCY DRIVE  
GLENDALE HEIGHTS IL 60139  
Phone: (630) 893-3600

Fax:

From: **WENDELL LANPHEAR**

Quoter Ph:

email: **WENDELL.LANPHEAR@GRAYBAR.COM**

FACTORY SHIPMENT OR DELIVERY DATES ARE THE BEST ESTIMATES OF OUR SUPPLIERS, AND IN NO CASE SHALL GRAYBAR BE LIABLE FOR ANY CONSEQUENTIAL OR SPECIAL DAMAGES ARISING FROM ANY DELAY IN SHIPMENT OR DELIVERY.

LEAD-TIMES PROVIDED ARE AN ESTIMATION AND ARE BASED ON TIME OF QUOTATION AND UNINTERRUPTED PRODUCTION/SUPPLY OF MATERIALS. THEY ARE SUBJECT TO CHANGE AT ANY TIME.

FREIGHT ADDER IS BASED ON QUOTATION BOM - DOES NOT INCLUDE ZERO QUANTITY ITEMS - ANY DEVIATION MAY INCUR ADDITIONAL FREI CHARGES.

DUE TO VOLATILITY OF MATERIALS, ALL PRICING SUBJECT TO REVIEW AT TIME OF ORDER AND AT TIME OF RELEASE. HOLD FOR RELEASE ORDERS DO NOT NECESSARILY LOCK IN PRICING FOR FUTURE RELEASES.

**MANUFACTURE SUMMARY/TERMS**

**Manufacturer:** CHARG CHARGEPOINT  
Freight Plus Freight

Minimum Order



# Geneva Fire Department

## PURCHASE ORDER

City of Geneva, 22 South First Street, Geneva, IL 60134 | (630) 232-0854

PO Number: 52458

V  
e  
n  
d  
o  
r  
  
Fleet Safety Supply  
PO Box 649  
Naperville, IL 60566  
(630) 527-1341

Geneva Fire Department  
200 East Side Drive  
Geneva, IL 60134  
630-232-2530

Date:		Dept:			
06/12/2023		Schultze			
QTY	Item #	Description	Amount	Total	
1	WH-TLI2D	ION™ T-Series™ Linear Super-LED®, DUO™ Color (Red/White)	\$147.42	\$147.42	
2	WH-TLI2J	ION™ T-Series™ Linear Super-LED®, DUO™ Color, Clear Lens (Red/Blue)	\$147.42	\$147.42	
3	WH-SA315P	123dB Speaker, Nylon Composite, 100 watt	\$214.90	\$214.90	
4	WH-SAK1	Speaker Bracket, Universal	\$39.69	\$39.69	
5	CO-LINEARMTC	Microthin, Linear Tube with Cable (Clear)	\$189.50	\$189.50	
6	TE-401-1228-PREHI	Single head preemption emitter, (Power Supply only)	\$375.00	\$375.00	
7	WH-TLMI2J	ION™ Mini T-Series™ Linear Super-LED®, DUO™ Color (Red/Blue)	\$116.22	\$232.44	
8	WH-BW47UFX	WCX DUO I-E XLP 12-LT F-150	\$974.35	\$974.35	
9	WH-BWDD	Extra Low Profile 6-LED DUO™ Lamps, Driver Side, No Charge When Order	\$0.00	\$0.00	
10	WH-BWPE	Extra Low Profile 6-LED DUO™ Lamps, Passenger Side, No Charge When Order	\$0.00	\$0.00	
11	WH-TLI2D	ION™ T-Series™ Linear Super-LED®, DUO™ Color (Red/White)	\$147.42	\$147.42	
12	WH-TLI2J	ION™ T-Series™ Linear Super-LED®, DUO™ Color, Clear Lens (Red/Blue)	\$147.42	\$147.42	
13	WH-TLI2D	ION™ T-Series™ Linear Super-LED®, DUO™ Color (Red/White)	\$147.42	\$147.42	
14	WH-TLI2J	ION™ T-Series™ Linear Super-LED®, DUO™ Color, Clear Lens (Red/Blue)	\$147.42	\$147.42	
15	WH-VTX9J	Vertex Super-LED, DUO color, Red/Blue, 9" Cable	\$110.76	\$110.76	
16	WH-VTX9D	Vertex Super-LED, DUO color, Red/White, 9" Cable	\$110.76	\$110.76	
17	WH-C399S6	Single Unit 200 Watt Siren with Integrated 3 Section Control Head and 8 P	\$1,396.98	\$1,396.98	
18	WH-C399RK7	2021 Ford F-150, 2022, Ford F-150 Lightning, 2020-2022 Ford Interceptor	\$46.80	\$46.80	
19	WH-CEM8	WCX Expansion Module, Eight Output, Four Input Module	\$167.70	\$167.70	
20	HS-C-VSW-2000-LT...	12.5" Wide 20"Vehicle-Specific Angled Console For 2022-2023 Ford F-150	\$775.89	\$775.89	
***Reference attached quote #72010R2***					
			shipping:		
			Total:	\$5,519.29	

DO NOT ADD SALES TAX..... CITY IS EXEMPT

See page 2  
REQUISITIONER

See page 2  
CITY ADMINISTRATOR

REMITTANCE: PLEASE SEND ALL INVOICES VIA EMAIL TO [GFD@GENEVA.IL.US](mailto:GFD@GENEVA.IL.US)

# Geneva Fire Department

## PURCHASE ORDER

City of Geneva, 22 South First Street, Geneva, IL 60134 | (630) 232-0854



PO Number: 52458

V  
e  
n  
d  
o  
r  
  
Fleet Safety Supply  
PO Box 649  
Naperville, IL 60566  
(630) 527-1341

Geneva Fire Department  
200 East Side Drive  
Geneva, IL 60134  
630-232-2530

Date:		Dept:			
06/12/2023		Schultze			
	QTY	Item #	Description	Amount	Total
1	1	HS-C-EB40-WCS-1P	Equipment Mounting Bracket, 4KIMounting Space, Fits Whelen Core-S Co	\$0.00	\$0.00
2	1	HS-C-EB25-XTL-1P	Equipment Mounting Bracket, Motorola XTL5000 (2005) remote head, AP	\$0.00	\$0.00
3	1	HS-CUP2-1001	Self-Adjusting Double Cup Holder, Internally mounted dual cup holder, Se	\$50.65	\$50.65
4	1	HS-CUP2-1005	Angled Wedge Kit for Cup Holders & 1 Piece 4" EuiPMENT Brackets, Occup	\$24.42	\$24.42
5	1	HS-C-EB45-APX-1P	1-Piece Equipment Mounting Bracket, 4.5" Mounting Space, Fits (1) Moto	\$0.00	\$0.00
6	1	HS-C-FP-4	4" Filler Plate	\$0.00	\$0.00
7	1	HS-C-APW-1390	13" Accessory Pocket, 9. " deep for 3.3" W Section of Wide Consoles	\$63.50	\$63.50
8	2	HS-C-ARM-102	Console, Accessory, Arm rest, External mount, Small arm rest pad, Height	\$71.07	\$142.13
9	1	MM-MMSU-1	Magnetic Mic Single Unit	\$39.95	\$39.95
10	1	HS-C-HDM-204	Pole only, Telescoping device mounting base, Heavy duty mount, Side mo	\$173.88	\$173.88
11	1	HS-C-HDM-303	Heavy Duty Fixed Top Offset Platform, 6KIOffset	\$72.58	\$72.58
12	1	HS-C-MD-207	Tilt Swivel Motion Device for Compact Tablet Applications	\$121.72	\$121.72
13	1	HS-PKG-TAB-APP9	Package - Docking Station (Charge and Data) and Tablet Case for Apple iP	\$371.95	\$371.95
14					
15					
16					
17					
18					
19			***Reference attached quote #72010R2***		
20					
			subtotal from page 1		\$5,519.29
			shipping:		\$150.00
			Total:		\$6,730.07

DO NOT ADD SALES TAX..... CITY IS EXEMPT

 6-12-2023  
REQUISITIONER  
 6-20-2023  
CITY ADMINISTRATOR

REMITTANCE: PLEASE SEND ALL INVOICES VIA EMAIL TO [GFD@GENEVA.IL.US](mailto:GFD@GENEVA.IL.US)

**Geneva Fire Department**

Ford F150 Lightning EV - Exterior Lights/Siren/Counsel/Mounts  
 Updated: 06/26/2023

Part Number	Quantity	Each	Fleet Safety		Total	Galls	Havis	Strobes and More
<b>Grille</b>								
WH-TL12D ION™ T-Series™ Linear Super-LED®, DUO™ Color (Red/White)	1	\$ 147.42	\$	147.42	\$	201.60		\$ 201.60
WH-TL12J ION™ T-Series™ Linear Super-LED®, DUO™ Color, Clear Lens (Red/Blue)	1	\$ 147.42	\$	147.42	\$	201.60		\$ 201.60
<b>Speaker</b>								
WH-SA315P 123dB Speaker, Nylon Composite, 100 watt	1	\$ 214.90	\$	214.90	\$	307.00		\$ 307.00
WH-SAK1 Speaker Bracket, Universal	1	\$ 39.69	\$	39.69	\$	46.00		\$ 46.00
<b>Preemption</b>								
CO-LINEARWTC Microthin, Linear Tube with Cable (Clear)	1	\$ 189.50	\$	189.50	\$	169.99		\$ 169.99
TE-401-1228-PREHI Single head preemption emitter, (Power Supply only)	1	\$ 375.00	\$	375.00	\$	400.00		\$ 400.00
<b>Front Extended Bumper</b>								
WH-TLM1ZJ ION™ Mini T-Series™ Linear Super-LED®, DUO™ Color (Red/Blue)	2	\$ 116.22	\$	232.44	\$	385.98		\$ 385.98
<b>Front Windshield</b>								
WH-BW47UFX WCX DUO I-E XLP 12-LT F-150	1	\$ 974.35	\$	974.35	\$	1,632.99		\$ 1,632.99
WH-BWDD Extra Low Profile 6-LED DUO™ Lamps, Driver Side, No Charge When Ordered with Extra Low Profile DUO™ Inner Edge (Red/White)	6	\$	\$		\$	139.99		\$ 139.99
WH-BWPE Extra Low Profile 6-LED DUO™ Lamps, Passenger Side, No Charge When Ordered with Extra Low Profile DUO™ Inner Edge (Blue/White)	6	\$	\$		\$	139.99		\$ 139.99
<b>Sides of Cap</b>								
WH-TL12D ION™ T-Series™ Linear Super-LED®, DUO™ Color (Red/White)	1	\$ 147.42	\$	147.42	\$	201.60		\$ 201.60
WH-TL12J ION™ T-Series™ Linear Super-LED®, DUO™ Color (Red/Blue)	1	\$ 147.42	\$	147.42	\$	201.60		\$ 201.60
<b>Rear Upper Cap</b>								
WH-TL12D ION™ T-Series™ Linear Super-LED®, DUO™ Color (Red/White)	1	\$ 147.42	\$	147.42	\$	201.60		\$ 201.60
WH-TL12J ION™ T-Series™ Linear Super-LED®, DUO™ Color, Clear Lens (Red/Blue)	1	\$ 147.42	\$	147.42	\$	201.60		\$ 201.60
<b>Rear Bumper</b>								
WH-VTX9J Vertex Super-LED, DUO color, Red/Blue, 9"Cable	1	\$ 110.76	\$	110.76	\$	47.99		\$ 47.99
WH-VTX9D Vertex Super-LED, DUO color, Red/White, 9" Cable 1 110.76 110.76	1	\$ 110.76	\$	110.76	\$	163.20		\$ 163.20
<b>Siren</b>								
WH-C39956 Single Unit 200 Watt Siren with Integrated 3 Section Control Head and 8 Push-Buttons, 4-Position Slide Switch with a 7-Position Rotary Knob, Manual, Airhorn Plus 3 Traffic Advisor™ Switches and Microphone with Extension Cable,	1	\$ 1,396.98	\$	1,396.98	\$	1,321.99		\$ 1,321.99
WH-C399RK7 2021 Ford F-150, 2022, Ford F-150 Lightning, 2020-2022 Ford Interceptor Utility, 2022 Ford Escape, 2022 Ford Expedition and 2021-2022 Ford Mustang Mach-E Installation Kit for C399R and Core-5™ Models Only	1	\$ 46.80	\$	46.80	\$	39.99		\$ 39.99
WH-CEM8 WCX Expansion Module, Eight Output, Four Input Module	1	\$ 167.70	\$	167.70	\$	139.99		\$ 139.99

**Geneva Fire Department**

Ford F150 Lighting EV - Exterior Lights/Siren/Counsol/Mounts  
 Updated: 06/26/2023

Part Number	Quantity	Each	Fleet Safety		Total	Galls	Havis	Strobes and More
			Each	Total				
<b>Console</b>								
HS-C-VSW-2000-LT... 12.5" Wide 20" Vehicle-Specific Angled Console For 2022-2023 Ford F-150 Lightning And 2021-2023 Ford F-150 XLT Retail Pickup Vehicles, 20" of total equipment mounting space in 9" W section 13" of total equipment mounting space in 3.3" W section (complete model number: C-VSW-2000-LTNG)	1	\$ 775.89	\$ 775.89	\$ 775.89	\$ 775.89	\$ 1,026.31	\$ 1,026.31	\$ 1,026.31
HS-C-EB40-WCS-1P Equipment Mounting Bracket, 4" Mounting Space, Fits Whelen Core-S Control System	1	\$ -	\$ -	\$ -	\$ -	\$ 45.00	\$ 45.00	\$ 45.00
HS-C-EB25-XTL-1P E uipment Mounting Bracket, Motorola XTL5000 (2005) remote head, APX6500 and 7500 remote, XTL2500 Remote 2.5"	1	\$ -	\$ -	\$ -	\$ -	\$ 33.00	\$ 33.00	\$ 33.00
HS-CUP2-1001 Self-Adjusting Double Cup Holder, Internally mounted dual cup holder, Self-adjusts to fit cups up to 3.5" in diameter, Occupies 4-inches of equipment bracket space, with a depth of 3-inches	1	\$ 50.65	\$ 50.65	\$ 50.65	\$ 50.65	\$ 67.00	\$ 67.00	\$ 67.00
HS-CUP2-1005 Angled Wedge Kit for Cup Holders 1-Piece 4" Equipment Brackets, Occupies 5" of equipment mounting area	1	\$ 24.42	\$ 24.42	\$ 24.42	\$ 24.42	\$ 33.00	\$ 33.00	\$ 33.00
HS-C-EB45-APX-1P 1-Piece Equipment Mounting Bracket, 4.5" Mounting Space, Fits (1) Motorola APX-6000/7000 chargers	1	\$ -	\$ -	\$ -	\$ -	\$ 48.00	\$ 48.00	\$ 48.00
HS-C-FPW-4.4" Filler Plate	1	\$ -	\$ -	\$ -	\$ -	\$ 9.00	\$ 9.00	\$ 9.00
HS-C-APW-1390 13" Accessory Pocket, 9" Deep for 3.3" W Section of Wide Consoles	1	\$ 63.50	\$ 63.50	\$ 63.50	\$ 63.50	\$ 84.00	\$ 84.00	\$ 84.00
HS-C-ARM-102 Console, Accessory, Arm rest, External mount, Small arm rest pad, Height adjustable, Side mount	2	\$ 71.07	\$ 142.13	\$ 142.13	\$ 142.13	\$ 188.00	\$ 188.00	\$ 188.00
MIM-MMSU-1 Magnetic Mic Single Unit	1	\$ 39.95	\$ 39.95	\$ 39.95	\$ 39.95	\$ 113.00	\$ 113.00	\$ 39.95
<b>Computer Mount</b>								
HS-C-HDM-204 Pole only, Telescoping device mounting base, Heavy duty mount, Side mount, 8" High, W-SHRTHANDLE	1	\$ 173.88	\$ 173.88	\$ 173.88	\$ 173.88	\$ 230.00	\$ 230.00	\$ 230.00
HS-C-HDM-303 Heavy Duty Fixed Top Offset Platform, 6" Offset	1	\$ 72.58	\$ 72.58	\$ 72.58	\$ 72.58	\$ 96.00	\$ 96.00	\$ 96.00
HS-C-MD-207 Tilt Swivel Motion Device for Compact Tablet Applications 1 121.72 121.72	1	\$ 121.72	\$ 121.72	\$ 121.72	\$ 121.72	\$ 161.00	\$ 161.00	\$ 161.00
HS-PKG-TAB-APP9 Package - Docking Station (Charge and Data) and Tablet Case for Apple iPad Pro 12.9-inch (3rd, 4th, 5th 6th Generations)	1	\$ 371.95	\$ 371.95	\$ 371.95	\$ 371.95	\$ 492.00	\$ 492.00	\$ 492.00
<b>Shipping</b>								
			\$ 142.54	\$ 142.54	\$ 150.00	\$ 29.59	\$ 172.53	\$ 172.53
<b>Total</b>			\$ 6,730.07	\$ 6,730.07	\$ 2,591.69	\$ 2,625.31	\$ 4,014.92	\$ 8,869.49

Upfitting request submitted 6/9/23

Fleet Safety	\$ 6,730.07
Diversified fleet	\$ 2,422.80
Total	\$ 9,152.87

Fleet Safety Supply  
P.O. Box 649  
Naperville, IL 60566  
(630) 527-1341 Phone/Fax

# Price Quote

DATE	ESTIMATE NO.
6/5/2023	72010R2

NAME / ADDRESS
Geneva Fire Department 200 East Side Drive Geneva, IL 60134

TERMS	FOB	P.O.
Net 30 Days	Naperville,IL	

ITEM	DESCRIPTION	QTY	COST	TOTAL
	2023 Ford F150 Lightning **** Lighting will use individual outputs ****			
WH-TL12D	Grille ION™ T-Series™ Linear Super-LED®, DUO™ Color (Red/White)	1	147.42	147.42
WH-TL12J	ION™ T-Series™ Linear Super-LED®, DUO™ Color, Clear Lens (Red/Blue)	1	147.42	147.42
WH-SA315P	Speaker 123dB Speaker, Nylon Composite, 100 watt	1	214.90	214.90
WH-SAK1	Speaker Bracket, Universal	1	39.69	39.69
CO-LINEARMTC	Preemption Microthin, Linear Tube with Cable (Clear)	1	189.50	189.50
TE-401-1228-PREHI	Single head preemption emitter, (Power Supply only)	1	375.00	375.00
WH-TLMI2J	Front Extended Bumper ION™ Mini T-Series™ Linear Super-LED®, DUO™ Color (Red/Blue)	2	116.22	232.44
WH-BW47UFX	Front Windshield WCX DUO I-E XLP 12-LT F-150	1	974.35	974.35
WH-BWDD	Extra Low Profile 6-LED DUO™ Lamps, Driver Side, No Charge When Ordered with Extra Low Profile DUO™ Inner Edge (Red/White)	6	0.00	0.00
WH-BWPE	Extra Low Profile 6-LED DUO™ Lamps, Passenger Side, No Charge When Ordered with Extra Low Profile DUO™ Inner Edge (Blue/White)	6	0.00	0.00
	Sides of cap			
Thank you for using Fleet Safety Supply!!!			<b>TOTAL</b>	

Fleet Safety Supply  
P.O. Box 649  
Naperville, IL 60566  
(630) 527-1341 Phone/Fax

# Price Quote

DATE	ESTIMATE NO.
6/5/2023	72010R2

NAME / ADDRESS
Geneva Fire Department 200 East Side Drive Geneva, IL 60134

TERMS	FOB	P.O.
Net 30 Days	Naperville,IL	

ITEM	DESCRIPTION	QTY	COST	TOTAL
WH-TLI2D	ION™ T-Series™ Linear Super-LED®, DUO™ Color (Red/White)	1	147.42	147.42
WH-TLI2J	ION™ T-Series™ Linear Super-LED®, DUO™ Color, Clear Lens (Red/Blue)	1	147.42	147.42
WH-TLI2D	Rear Upper Cap ION™ T-Series™ Linear Super-LED®, DUO™ Color (Red/White)	1	147.42	147.42
WH-TLI2J	ION™ T-Series™ Linear Super-LED®, DUO™ Color, Clear Lens (Red/Blue)	1	147.42	147.42
WH-VTX9J	Rear Bumper Vertex Super-LED, DUO color, Red/Blue, 9" Cable	1	110.76	110.76
WH-VTX9D	Vertex Super-LED, DUO color, Red/White, 9" Cable	1	110.76	110.76
WH-C399S6	Siren Single Unit 200 Watt Siren with Integrated 3 Section Control Head and 8 Push-Buttons, 4-Position Slide Switch with a 7-Position Rotary Knob, Manual, Airhorn Plus 3 Traffic Advisor™ Switches and Microphone with Extension Cable,	1	1,396.98	1,396.98
WH-C399RK7	2021 Ford F-150, 2022, Ford F-150 Lightning, 2020-2022 Ford Interceptor Utility, 2022 Ford Escape, 2022 Ford Expedition and 2021-2022 Ford Mustang Mach-E Installation Kit for C399R and Core-S™ Models Only	1	46.80	46.80
WH-CEM8	WCX Expansion Module, Eight Output, Four Input Module	1	167.70	167.70
HS-C-VSW-2000-LT...	Console 12.5" Wide 20" Vehicle-Specific Angled Console For 2022-2023 Ford F-150 Lightning And 2021-2023 Ford F-150 XLT Retail Pickup Vehicles, 20" of total equipment mounting space in 9"W section 13" of total equipment mounting space in 3.3"W section (complete model number: C-VSW-2000-LTNG)	1	775.89	775.89
Thank you for using Fleet Safety Supply!!!			<b>TOTAL</b>	

Fleet Safety Supply  
P.O. Box 649  
Naperville, IL 60566  
(630) 527-1341 Phone/Fax

# Price Quote

DATE	ESTIMATE NO.
6/5/2023	72010R2

**NAME / ADDRESS**

Geneva Fire Department  
200 East Side Drive  
Geneva, IL 60134

TERMS	FOB	P.O.
Net 30 Days	Naperville,IL	

ITEM	DESCRIPTION	QTY	COST	TOTAL
HS-C-EB40-WCS-1P	Equipment Mounting Bracket, 4" Mounting Space, Fits Whelen Core-S Control System	1	0.00	0.00
HS-C-EB25-XTL-1P	Equipment Mounting Bracket, Motorola XTL5000 (2005) remote head, APX6500 and 7500 remote, XTL2500 Remote 2.5"	1	0.00	0.00
HS-CUP2-1001	Self-Adjusting Double Cup Holder, Internally mounted dual cup holder, Self-adjusts to fit cups up to 3.5" in diameter, Occupies 4-inches of equipment bracket space, with a depth of 3-inches 4"	1	50.65	50.65
HS-CUP2-1005	Angled Wedge Kit for Cup Holders & 1-Piece 4" Equipment Brackets, Occupies 5" of equipment mounting area	1	24.42	24.42
HS-C-EB45-APX-1P	1-Piece Equipment Mounting Bracket, 4.5" Mounting Space, Fits (1) Motorola APX-6000/7000 chargers	1	0.00	0.00
HS-C-FP-4	4" Filler Plate	1	0.00	0.00
HS-C-APW-1390	13" Accessory Pocket, 9." Deep for 3.3"W Section of Wide Consoles	1	63.50	63.50
HS-C-ARM-102	Console, Accessory, Arm rest, External mount, Small arm rest pad, Height adjustable, Side mount	2	71.065	142.13
MM-MMSU-1	Magnetic Mic Single Unit	1	39.95	39.95
HS-C-HDM-204	Computer Mount Pole only, Telescoping device mounting base, Heavy duty mount, Side mount, 8" High, W-SHRTHNDLE	1	173.88	173.88
HS-C-HDM-303	Heavy Duty Fixed Top Offset Platform, 6" Offset	1	72.58	72.58
HS-C-MD-207	Tilt Swivel Motion Device for Compact Tablet Applications	1	121.72	121.72
HS-PKG-TAB-APP9	Package - Docking Station (Charge and Data) and Tablet Case for Apple iPad Pro 12.9-inch (3rd, 4th, 5th & 6th Generations) *** Installer Note: Customer requests external side mount ***	1	371.95	371.95
Shipping	Shipping estimate	1	150.00	150.00
Thank you for using Fleet Safety Supply!!!			<b>TOTAL</b>	\$6,730.07





# QUOTE

QUOTE #	QTEQ1428
DATE	Jun 7, 2023

1245 Parmount Parkway Batavia, IL 60510  
 Office 630-406-5700 Fax 630-406-5705

This quote is valid for 30 days.

To Dustin Schultze Phone 630-232-2530  
 City of Geneva Fire Department Email dschultze@geneva.il.us  
 200 Eastside Drive  
 Geneva, IL 60134

QTY	DESCRIPTION	UNIT PRICE	TOTAL PRICE
25	Labor to Install customer supplied equipment (Fleet Safety Supply quote 72010R2) in 2023 Ford Lightning	\$90.00	\$2,250.00
1	Incidental Wire/Fuses/Hardware etc	\$160.00	\$160.00
		<b>SUBTOTAL</b>	\$2,410.00
		<b>SALES TAX</b>	\$12.80
		<b>TOTAL</b>	<b>\$2,422.80</b>

*By signing below, customer agrees to purchase the items and services listed. Please bring your vehicle by for us to measure or double check your vehicle year, make, model, cab style, bed length, etc, before ordering. Any items ordered incorrectly due to information provided by the customer will be subject to restocking, shipping, and installation fees.*

To accept this quotation and agree to the terms above, sign here and return: \_\_\_\_\_

**Thank You For Your Business!**

# Geneva Fire Department

## PURCHASE ORDER

City of Geneva, 22 South First Street, Geneva, IL 60134 | (630) 232-0854

PO Number: 52457

V  
e  
n  
d  
o  
r  
  
 Rehm Electric Shop Inc.  
 512 South 14th ST  
 St. Charles, IL 60174  
 (630) 584-0009

Geneva Fire Department  
 200 East Side Drive  
 Geneva, IL 60134  
 630-232-2530

Date:				Dept:	
06/12/2023				Schultze	
QTY	Item #	Description	Amount	Total	
1	601-2231011-01	Install customer supplied 50 amp charging station in the center aisle island of the parking lot.	\$7,595.00	\$7,595.00	
		Includes directional boring and the installation of a concrete base for the charging station.			
***Reference attached contract #1036***					
			shipping:		
			Total:	\$7,595.00	

DO NOT ADD SALES TAX..... CITY IS EXEMPT



6-12-2023

REQUISITIONER



6/12/2023

CITY ADMINISTRATOR

REMITTANCE: PLEASE SEND ALL INVOICES VIA EMAIL TO [GFD@GENEVA.IL.US](mailto:GFD@GENEVA.IL.US)

# PROPOSAL / CONTRACT

REHM ELECTRIC SHOP INC.  
512 SOUTH 14TH AVE. . ST. CHARLES, IL.  
630/584/0009 Rehmelectric@att.net

Date: 5/22/2023

Contract: 1036

"Rehm Electric Shop Inc.", hereinafter referred to as "Electric Contractor", proposes to furnish material and labor in accordance with the job description identified in this Proposal/Contract pursuant to the following:

GENEVA FIRE DEPARTMENT  
GENEVA, IL 60134

3. JOB LOCATION:

4. PLANS DESCRIPTION:

5. JOB DESCRIPTION; QUOTE 4: We propose to install Customer supplied 50 amp car charging station in the center island of the parking lot. We will be directional boring from the corner of the building to the center island and installing a concrete base for the charging station.

Customer is responsible for any private lines not marked by Julie, as well as any bonds or permits that may be required. Customer is also responsible for any relandscaping that may be required for this project.

**WE PROPOSE to perform the work as stated in this Contract in accordance with the specifications and plans submitted and completed in a workmanlike manner for the sum of: SEVEN THOUSAND FIVE HUNDRED NINETY FIVE DOLLARS AND NO CENTS (\$7,595.00) with payments: AS REQUESTED NET TEN DAYS**

**This Contract is executed at "St. Charles, IL." by Rehm Electric Shop Inc.**

**ACCEPTANCE OF PROPOSAL: The prices, specifications, terms and conditions are hereby accepted. You are authorized to do the work as specified. Payment will be made as outlined above.**

It is understood and agreed that this work is not provided for in any other agreement and no other contractual rights arise until this proposal is accepted in writing.

Date 6-22-2023

Signature



MICHAEL K. ANTENORE

## TERMS AND CONDITIONS

6. Electrical shall be installed to standards of the National Electric Code and is guaranteed free from short circuits for one year. No other warranties are expressed or implied.
7. Electric Contractor is not responsible or liable in any way, for any part of the existing electrical system.
8. Electric Contractor shall make holes in the building to gain access for routing cables & conduits and shall not be held liable in any way for labor or costs incurred for painting, texturing, repairing walls or ceilings.
9. Time and materials work shall be charged \$125.00 an hour plus materials. Service calls shall be charged \$95.00 for the first half-hour, then \$125.00 per hour. \$95.00 is minimum charge.
10. Permits, inspections and/or plans required for this work are the responsibility and liability of the party submitted to in section 1.
11. Change orders: Any alteration or deviation from the above specifications involving extra costs will be made only upon written agreement, and will become an extra charge above the contract price to be paid immediately.
12. Delay: Electric Contractor will be excused for any delay beyond our control. These delays may include, but are not limited to Acts of God, labor disputes, inclement weather, acts of owner or public authority, or other unforeseen contingencies.
13. Right to Stop Work: If any payment under this Contract is not made when due, Electric Contractor may stop suspend work until all payments have been made.
14. Any failure to make payments to Electric Contractor is subject to a claim against the property in accordance with applicable lien laws.
15. It is agreed that payment to Electric Contractor shall not be withheld due to any delay or failed payments to the party submitted to in section 1.
16. Malicious mischief and vandalism on the job is the responsibility of the party submitted to in section 1. Electric Contractor shall not be responsible for any damage resulting therefrom. Party submitted to shall carry needed insurance.
17. Overdue accounts will be charged a late charge at the rate of 1.5% per month, or the maximum rate permitted by law, whichever is less.
18. In the event any party to this Contract commences any action, legal or otherwise, to collect the contract price, the prevailing party shall be entitled to recover attorneys fees and all other costs incurred in connection with the action.
19. This Proposal shall be effective for thirty days from the date first set forth above. If this Proposal is not accepted within this time it shall be expired. This Proposal may be withdrawn any time before acceptance.
20. The language of all parts of this Contract shall in all cases be construed as a whole, according to its fair meaning, and not strictly for or against any of the parties. No provision shall be deemed dependant upon any other.
21. If any provision of this Contract is held by an arbitrator or court to be unenforceable, invalid or illegal, said provision shall be deemed to be deleted and shall not affect the validity of the remaining provisions of this contract.
22. Party submitted to shall give written notice of a back charge to Electric Contractor within ten days of the act giving rise to a back charge. If no such notice is given within the ten day period the back charge shall not be allowed.
23. In the event party submitted to does not request work to begin and/or the project is not in good condition to commence the work within 30 days after the acceptance of this Contract, Electric Contractor shall have the option to terminate this Contract.

Electrical Install request 5/31/23

	Steve Martin	Rehm Electric	Vons Electric
install			
install 50 amp in 213 spot	\$ 9,645.00	\$ 7,595.00	\$ 17,825.00
install 50 amp at corner of building		\$ 6,595.00	\$ 10,250.00
install 80 amp in 213 spot		\$ 8,995.00	
install 80 amp at corner of building		\$ 6,795.00	

Recommend

Rehm Electric installation for 50 amp charger on the island in 213 parking spot for \$7,595



624 N. LINCOLN AVE. | GENEVA, IL 60134  
630.664.8807 | STEVE@STEVE-MARTINELECTRIC.COM

**PROPOSAL**

To: Geneva Fire Dept.  
Attn: Dustin Schultze  
200 East Side Dr.  
Geneva, IL 60134

December 6, 2022  
Level 2 EV Charger

We are pleased to offer the following quotation:  
Furnish and install all labor and materials which includes the following:

- From electrical service room, run 1 1/4" EMT conduit to north side of building
- Provide and install LB with rigid conduit drop; convert to PVC
- Hand-trench to sidewalk
- Saw-cut up to 8" wide, sidewalk and black top
- Trench up to 24" deep
- In trench, lay 1 1/4" PVC for EV charger, and spare 1" PVC for future expansion
- Provide and install landscape handhole with cover
- Backfill trench with gravel; [blacktop drive and sidewalk concrete repaired by others]
- Trenched materials hauled away by others
- Provide and install 80-amp, 240-volt, Square-D circuit breaker
- Provide and run #3 conductors and #8 ground (to avoid voltage drop, #3 vs #4)
- Provide and install exterior junction box and connections to Ford Charger

**TOTAL COST: \$9,645.00**

We look forward to working with you!

Respectfully Submitted,

Steve Martin

**ACCEPTED:**

Sign \_\_\_\_\_

Date \_\_\_\_\_

NOTE: This proposal may be withdrawn by us  
If not accepted within 30 days.  
Credit cards accepted (please add 3.7%)  
If customer desires permit, costs of permits and inspections TBD

All material is guaranteed to be as specified. All work to be completed  
In a workmanlike manner according to standard practices. Any alteration  
or deviation from the above drawings or specs involving extra cost of material  
or labor will only be executed upon written orders for same and will become a  
charge over the sum mentioned in this contract. Owner to carry fire, tornado ins. Etc  
upon above work. Workman's Compensation and Public Liability Ins on above work  
provided by Steve Marin Electric, Inc.



# Vons Electric, Inc

2701 Dukane Drive | St Charles, IL 60174  
6303778667 | info@vonselctric.com | www.vonselctric.com

**RECIPIENT:**

**Geneva Fire Department**

200 East Side Drive  
Geneva, Illinois 60134

**Quote #8893**

Sent on May 31, 2023

**Total \$17,825.00**

PRODUCT / SERVICE	DESCRIPTION	QTY.	UNIT PRICE	TOTAL
Estimated Work	1-3 inch conduit bored across parking lot with 1 hand hole in island for future connections 1-new concrete foundation for customer supplied charger 1-new 2p 60 amp circuit from existing QOB panel  to north parking lot island. Install 1 customer supplied level 2 charging system . (no GFCI protection has been included due to online specs of charging system (CPF50) . If required extra charges may apply .	1	\$17,825.00	\$17,825.00*
				Not included
Estimated Work	Charger location to be on the NW Connor of building (not in the island. ) no boring included  1-new concrete foundation for customer supplied charger 1-new 2p 60 amp circuit from existing QOB panel  to north parking lot island. Install 1 customer supplied level 2 charging system . (no GFCI protection has been included due to online specs of charging system (CPF50) . If required extra charges may apply .	1	\$10,250.00	\$10,250.00*
				Not included
Estimated Work	Run a larger 3inch conduit through the building from electrical room to exterior NW Connor of the building for the future circuits .	1	\$4,950.00	\$4,950.00*



# Vons Electric, Inc

2701 Dukane Drive | St Charles, IL 60174  
6303778667 | info@vonselectric.com | www.vonselectric.com

PRODUCT / SERVICE	DESCRIPTION	QTY.	UNIT PRICE	TOTAL
ESTIMATE NOTES	<p>Prevailing wage will be paid on this estimate. All work to be completed during normal business hours MON - FRI , 7AM -3PM . Not responsible for repairing unmarked underground utilities Drywall damage may occur - Drywall patching and painting NOT included This proposal will be adjusted if the authority having jurisdiction makes changes *A signed proposal and PO are required to schedule, balance due at the time the work is performed DUE TO RAPID MATERIAL COST INCREASES this proposal is valid for 14 days Potential material shortages can delay scheduling. Best practices have been implemented to keep delays as minimal as possible EXCLUDES: City permit and fees Restoration of landscaping Painting conduit</p>	1	\$0.00	\$0.00*

Total

**\$17,825.00**

\* Non-taxable

This quote is valid for the next 14 days, after which values may be subject to change.

# PROPOSAL / CONTRACT

## REHM ELECTRIC SHOP INC.

512 SOUTH 14TH AVE. . ST. CHARLES, IL.  
630/584/0009 Rehmelectric@att.net

Date: 5/22/2023

Contract: 1033

"Rehm Electric Shop Inc.", hereinafter referred to as "Electric Contractor", proposes to furnish material and labor in accordance with the job description identified in this Proposal/Contract pursuant to the following:

GENEVA FIRE DEPARTMENT

GENEVA, IL 60134

3. JOB LOCATION:

4. PLANS DESCRIPTION:

5. JOB DESCRIPTION: QUOTE 1: We propose to install Customer-supplied 80 amp charging station by the corner parking spot next to the building. At this point we will be installing a concrete base for the charging station.

Customer is responsible for any private lines not marked by Julie, as well as any bonds or permits that may be required. Customer is also responsible for any re-landscaping that may be required for this project.

**WE PROPOSE to perform the work as stated in this Contract in accordance with the specifications and plans submitted and completed in a workmanlike manner**

**for the sum of: SIX THOUSAND SEVEN HUNDRED NINETY FIVE DOLLARS AND NO CENTS (\$6,795.00)**

**with payments: AS REQUESTED NET TEN DAYS**

**This Contract is executed at "St. Charles, Il. " by Rehm Electric Shop Inc.**

**ACCEPTANCE OF PROPOSAL: The prices, specifications, terms and conditions are hereby accepted. You are authorized to do the work as specified. Payment will be made as outlined above.**

It is understood and agreed that this work is not provided for in any other agreement and no other contractual rights arise until this proposal is accepted in writing.

Date ..... Signature .....

### TERMS AND CONDITIONS

6. Electrical shall be installed to standards of the National Electric Code and is guaranteed free from short circuits for one year. No other warranties are expressed or implied.
7. Electric Contractor is not responsible or liable in any way, for any part of the existing electrical system.
8. Electric Contractor shall make holes in the building to gain access for routing cables & conduits and shall not be held liable in any way for labor or costs incurred for painting, texturing, repairing walls or ceilings.
9. Time and materials work shall be charged \$125.00 an hour plus materials. Service calls shall be charged \$95.00 for the first half-hour, then \$125.00 per hour. \$95.00 is minimum charge.
10. Permits, inspections and/or plans required for this work are the responsibility and liability of the party submitted to in section 1.
11. **Change orders:** Any alteration or deviation from the above specifications involving extra costs will be made only upon written agreement, and will become an extra charge above the contract price to be paid immediately.
12. Delay: Electric Contractor will be excused for any delay beyond our control. These delays may include, but are not limited to Acts of God, labor disputes, inclement weather, acts of owner or public authority, or other unforeseen contingencies.
13. Right to Stop Work: If any payment under this Contract is not made when due, Electric Contractor may stop suspend work until all payments have been made.
14. Any failure to make payments to Electric Contractor is subject to a claim against the property in accordance with applicable lien laws.
15. It is agreed that payment to Electric Contractor shall not be withheld due to any delay or failed payments to the party submitted to in section 1.
16. **Malicious mischief and vandalism** on the job is the responsibility of the party submitted to in section 1. Electric Contractor shall not be responsible for any damage resulting therefrom. Party submitted to shall carry needed insurance.
17. Overdue accounts will be charged a late charge at the rate of 1.5% per month, or the maximum rate permitted by law, whichever is less.
18. In the event any party to this Contract commences any action, legal or otherwise, to collect the contract price, the prevailing party shall be entitled to recover attorneys fees and all other costs incurred in connection with the action.
19. This Proposal shall be effective for thirty days from the date first set forth above. If this Proposal is not accepted within this time it shall be expired. This Proposal may be withdrawn any time before acceptance.
20. The language of all parts of this Contract shall in all cases be construed as a whole, according to its fair meaning, and not strictly for or against any of the parties. No provision shall be deemed dependant upon any other.
21. If any provision of this Contract is held by an arbitrator or court to be unenforceable, invalid or illegal, said provision shall be deemed to be deleted and shall not affect the validity of the remaining provisions of this contract.
22. Party submitted to shall give written notice of a back charge to Electric Contractor within ten days of the act giving rise to a back charge. If no such notice is given within the ten day period the back charge shall not be allowed.
23. In the event party submitted to does not request work to begin and/or the project is not in good condition to commence the work within 30 days after the acceptance of this Contract, Electric Contractor shall have the option to terminate this Contract.



# PROPOSAL / CONTRACT

## REHM ELECTRIC SHOP INC.

512 SOUTH 14TH AVE. . ST. CHARLES, IL.  
630/584/0009 Rehmelectric@att.net

Date: 5/22/2023

Contract: 1038

"Rehm Electric Shop Inc.", hereinafter referred to as "Electric Contractor", proposes to furnish material and labor in accordance with the job description identified in this Proposal/Contract pursuant to the following:

GENEVA FIRE DEPARTMENT

GENEVA, IL 60134

3. JOB LOCATION:

4. PLANS DESCRIPTION:

5. JOB DESCRIPTION: QUOTE 2: We propose to install Customer-supplied 50 amp charging station by the corner parking spot next to the building. At this point, we will be installing a concrete base for the charging station.

Customer is responsible for any private lines not marked by Julie, as well as any bonds or permits that may be required. Customer is also responsible for any relandscaping that may be required.

**WE PROPOSE to perform the work as stated in this Contract in accordance with the specifications and plans submitted and completed in a workmanlike manner**

**for the sum of: SIX THOUSAND FIVE HUNDRED NINETY FIVE DOLLARS AND NO CENTS (\$6,595.00)**

**with payments: AS REQUESTED NET TEN DAYS**

**This Contract is executed at "St. Charles, Il. " by Rehm Electric Shop Inc.**

**ACCEPTANCE OF PROPOSAL: The prices, specifications, terms and conditions are hereby accepted. You are authorized to do the work as specified. Payment will be made as outlined above.**

It is understood and agreed that this work is not provided for in any other agreement and no other contractual rights arise until this proposal is accepted in writing.

Date ..... Signature .....

### TERMS AND CONDITIONS

6. Electrical shall be installed to standards of the National Electric Code and is guaranteed free from short circuits for one year. No other warranties are expressed or implied.
7. Electric Contractor is not responsible or liable in any way, for any part of the existing electrical system.
8. Electric Contractor shall make holes in the building to gain access for routing cables & conduits and shall not be held liable in any way for labor or costs incurred for painting, texturing, repairing walls or ceilings.
9. Time and materials work shall be charged \$125.00 an hour plus materials. Service calls shall be charged \$95.00 for the first half-hour, then \$125.00 per hour. \$95.00 is minimum charge.
10. Permits, inspections and/or plans required for this work are the responsibility and liability of the party submitted to in section 1.
11. **Change orders:** Any alteration or deviation from the above specifications involving extra costs will be made only upon written agreement, and will become an extra charge above the contract price to be paid immediately.
12. **Delay:** Electric Contractor will be excused for any delay beyond our control. These delays may include, but are not limited to Acts of God, labor disputes, inclement weather, acts of owner or public authority, or other unforeseen contingencies.
13. **Right to Stop Work:** If any payment under this Contract is not made when due, Electric Contractor may stop suspend work until all payments have been made.
14. Any failure to make payments to Electric Contractor is subject to a claim against the property in accordance with applicable lien laws.
15. It is agreed that payment to Electric Contractor shall not be withheld due to any delay or failed payments to the party submitted to in section 1.
16. **Malicious mischief and vandalism** on the job is the responsibility of the party submitted to in section 1. Electric Contractor shall not be responsible for any damage resulting therefrom. Party submitted to shall carry needed insurance.
17. Overdue accounts will be charged a late charge at the rate of 1.5% per month, or the maximum rate permitted by law, whichever is less.
18. In the event any party to this Contract commences any action, legal or otherwise, to collect the contract price, the prevailing party shall be entitled to recover attorneys fees and all other costs incurred in connection with the action.
19. This Proposal shall be effective for thirty days from the date first set forth above. If this Proposal is not accepted within this time it shall be expired. This Proposal may be withdrawn any time before acceptance.
20. The language of all parts of this Contract shall in all cases be construed as a whole, according to its fair meaning, and not strictly for or against any of the parties. No provision shall be deemed dependant upon any other.
21. If any provision of this Contract is held by an arbitrator or court to be unenforceable, invalid or illegal, said provision shall be deemed to be deleted and shall not affect the validity of the remaining provisions of this contract.
22. **Party submitted to** shall give written notice of a back charge to Electric Contractor within ten days of the act giving rise to a back charge. If no such notice is given within the ten day period the back charge shall not be allowed.
23. In the event party submitted to does not request work to begin and/or the project is not in good condition to commence the work within 30 days after the acceptance of this Contract, Electric Contractor shall have the option to terminate this Contract.

# PROPOSAL / CONTRACT

**REHM ELECTRIC SHOP INC.**  
512 SOUTH 14TH AVE. . ST. CHARLES, IL.  
630/584/0009 Rehmelectric@att.net

Date: 5/22/2023

Contract: 1037

"Rehm Electric Shop Inc.", hereinafter referred to as "Electric Contractor", proposes to furnish material and labor in accordance with the job description identified in this Proposal/Contract pursuant to the following:

GENEVA FIRE DEPARTMENT

GENEVA IL 60134

3. JOB LOCATION:

4. PLANS DESCRIPTION:

5. JOB DESCRIPTION: QUOTE 3: We propose to install Customer supplied 80 amp car charging station in the center island of the parking lot. We will be directional boring from the corner of the building to the center island and installing a concrete base for the charging station.

Customer is responsible for any private lines not marked by Julie, as well as any bonds or permits that may be required. Customer is also responsible for any relandscaping that may be required for this project.

**WE PROPOSE to perform the work as stated in this Contract in accordance with the specifications and plans submitted and completed in a workmanlike manner**

**for the sum of: EIGHT THOUSAND NINE HUNDRED NINETY FIVE DOLLARS AND NO CENTS (\$8,995.00)**

**with payments: AS REQUESTED NET TEN DAYS**

**This Contract is executed at "St. Charles, Il. " by Rehm Electric Shop Inc.**

**ACCEPTANCE OF PROPOSAL: The prices, specifications, terms and conditions are hereby accepted. You are authorized to do the work as specified. Payment will be made as outlined above.**

It is understood and agreed that this work is not provided for in any other agreement and no other contractual rights arise until this proposal is accepted in writing.

Date ..... Signature .....

## TERMS AND CONDITIONS

6. Electrical shall be installed to standards of the National Electric Code and is guaranteed free from short circuits for one year. No other warranties are expressed or implied.
7. Electric Contractor is not responsible or liable in any way, for any part of the existing electrical system.
8. Electric Contractor shall make holes in the building to gain access for routing cables & conduits and shall not be held liable in any way for labor or costs incurred for painting, texturing, repairing walls or ceilings.
9. Time and materials work shall be charged \$125.00 an hour plus materials. Service calls shall be charged \$95.00 for the first half-hour, then \$125.00 per hour. \$95.00 is minimum charge.
10. Permits, inspections and/or plans required for this work are the responsibility and liability of the party submitted to in section 1.
11. **Change orders:** Any alteration or deviation from the above specifications involving extra costs will be made only upon written agreement, and will become an extra charge above the contract price to be paid immediately.
12. **Delay:** Electric Contractor will be excused for any delay beyond our control. These delays may include, but are not limited to Acts of God, labor disputes, inclement weather, acts of owner or public authority, or other unforeseen contingencies.
13. **Right to Stop Work:** If any payment under this Contract is not made when due, Electric Contractor may stop suspend work until all payments have been made.
14. Any failure to make payments to Electric Contractor is subject to a claim against the property in accordance with applicable lien laws.
15. It is agreed that payment to Electric Contractor shall not be withheld due to any delay or failed payments to the party submitted to in section 1.
16. **Malicious mischief and vandalism** on the job is the responsibility of the party submitted to in section 1. Electric Contractor shall not be responsible for any damage resulting therefrom. Party submitted to shall carry needed insurance.
17. Overdue accounts will be charged a late charge at the rate of 1.5% per month, or the maximum rate permitted by law, whichever is less.
18. In the event any party to this Contract commences any action, legal or otherwise, to collect the contract price, the prevailing party shall be entitled to recover attorneys fees and all other costs incurred in connection with the action.
19. This Proposal shall be effective for thirty days from the date first set forth above. If this Proposal is not accepted within this time it shall be expired. This Proposal may be withdrawn any time before acceptance.
20. The language of all parts of this Contract shall in all cases be construed as a whole, according to its fair meaning, and not strictly for or against any of the parties. No provision shall be deemed dependant upon any other.
21. If any provision of this Contract is held by an arbitrator or court to be unenforceable, invalid or illegal, said provision shall be deemed to be deleted and shall not affect the validity of the remaining provisions of this contract.
22. **Party submitted to** shall give written notice of a back charge to Electric Contractor within ten days of the act giving rise to a back charge. If no such notice is given within the ten day period the back charge shall not be allowed.
23. In the event party submitted to does not request work to begin and/or the project is not in good condition to commence the work within 30 days after the acceptance of this Contract, Electric Contractor shall have the option to terminate this Contract.

**PROPOSAL / CONTRACT**

**REHM ELECTRIC SHOP INC.**  
512 SOUTH 14TH AVE. . ST. CHARLES, IL.  
630/584/0009 Rehmelectric@att.net

Date: 5/22/2023

Contract: 1036

"Rehm Electric Shop Inc.", hereinafter referred to as "Electric Contractor", proposes to furnish material and labor in accordance with the job description identified in this Proposal/Contract pursuant to the following:

GENEVA FIRE DEPARTMENT  
GENEVA, IL 60134

3. JOB LOCATION:

4. PLANS DESCRIPTION:

5. JOB DESCRIPTION: QUOTE 4: We propose to install Customer supplied 50 amp car charging station in the center island of the parking lot. We will be directional boring from the corner of the building to the center island and installing a concrete base for the charging station.

Customer is responsible for any private lines not marked by Julie, as well as any bonds or permits that may be required. Customer is also responsible for any relandscaping that may be required for this project.

**WE PROPOSE to perform the work as stated in this Contract in accordance with the specifications and plans submitted and completed in a workmanlike manner**

**for the sum of: SEVEN THOUSAND FIVE HUNDRED NINETY FIVE DOLLARS AND NO CENTS (\$7,595.00)  
with payments: AS REQUESTED NET TEN DAYS**

**This Contract is executed at "St. Charles, Il. " by Rehm Electric Shop Inc.**

**ACCEPTANCE OF PROPOSAL: The prices, specifications, terms and conditions are hereby accepted. You are authorized to do the work as specified. Payment will be made as outlined above.**

It is understood and agreed that this work is not provided for in any other agreement and no other contractual rights arise until this proposal is accepted in writing.

Date ..... Signature .....

**TERMS AND CONDITIONS**

- 6. Electrical shall be installed to standards of the National Electric Code and is guaranteed free from short circuits for one year. No other warranties are expressed or implied.
- 7. Electric Contractor is not responsible or liable in any way, for any part of the existing electrical system.
- 8. Electric Contractor shall make holes in the building to gain access for routing cables & conduits and shall not be held liable in any way for labor or costs incurred for painting, texturing, repairing walls or ceilings.
- 9. Time and materials work shall be charged \$125.00 an hour plus materials. Service calls shall be charged \$95.00 for the first half-hour, then \$125.00per hour. \$95.00 is minimum charge.
- 10. Permits, inspections and/or plans required for this work are the responsibility and liability of the party submitted to in section 1.
- 11. **Change orders:** Any alteration or deviation from the above specifications involving extra costs will be made only upon written agreement, and will become an extra charge above the contract price to be paid immediately.
- 12. **Delay:** Electric Contractor will be excused for any delay beyond our control. These delays may include, but are not limited to Acts of God, labor disputes, inclement weather, acts of owner or public authority, or other unforeseen contingencies.
- 13. **Right to Stop Work:** If any payment under this Contract is not made when due, Electric Contractor may stop suspend work until all payments have been made.
- 14. Any failure to make payments to Electric Contractor is subject to a claim against the property in accordance with applicable lien laws.
- 15. It is agreed that payment to Electric Contractor shall not be withheld due to any delay or failed payments to the party submitted to in section 1.
- 16. **Malicious mischief and vandalism** on the job is the responsibility of the party submitted to in section 1. Electric Contractor shall not be responsible for any damage resulting therefrom. Party submitted to shall carry needed insurance.
- 17. Overdue accounts will be charged a late charge at the rate of 1.5% per month, or the maximum rate permitted by law, whichever is less.
- 18. In the event any party to this Contract commences any action, legal or otherwise, to collect the contract price, the prevailing party shall be entitled to recover attorneys fees and all other costs incurred in connection with the action.
- 19. This Proposal shall be effective for thirty days from the date first set forth above. If this Proposal is not accepted within this time it shall be expired. This Proposal may be withdrawn any time before acceptance.
- 20. The language of all parts of this Contract shall in all cases be construed as a whole, according to its fair meaning, and not strictly for or against any of the parties. No provision shall be deemed dependant upon any other.
- 21. If any provision of this Contract is held by an arbitrator or court to be unenforceable, invalid or illegal, said provision shall be deemed to be deleted and shall not affect the validity of the remaining provisions of this contract.
- 22. Party submitted to shall give written notice of a back charge to Electric Contractor within ten days of the act giving rise to a back charge. If no such notice is given within the ten day period the back charge shall not be allowed.
- 23. In the event party submitted to does not request work to begin and/or the project is not in good condition to commence the work within 30 days after the acceptance of this Contract, Electric Contractor shall have the option to terminate this Contract.



**Bob Ridings Fleet Sales  
Todd Crews, Fleet Sales Mgr.  
931 Springfield Rd  
Taylorville IL 62568**

Ph. 217-824-2207

Email toddfleet@aol.com

Fax 217-824-4252

Tuesday, May 02, 2023

KEVIN SWANSON  
GENEVA FIRE DEPT  
200 EASTSIDE DR  
GENEVA, IL 60134

Dear Kevin:

Thank you for your inquiry about our Fleet Sales Program, please accept this letter as our bid. We are pleased you are again considering us for your new trucks and this one is in production and expected to arrive in May/June.

**WE PROPOSE 2023 Ford F150 LIGHTNING SuperCrew Pickup (W1E) AWD w/5.5ft Bed**

INCLUDES All Standard Equipment w/PRO Series Trim Level 110A Pkg  
**(99L) 98 kWh High Voltage STANDARD RANGE Battery-with DUAL Electric eMotors**  
w/Single Speed Transmission, 210 mile Range Estimated **ALL Wheel Drive**  
**Independent Rear Suspension Electronic Locking Rear Axle Class IV Trailer Hitch**  
Advance Trac Stability Control w/Antilock Brakes **Front & Side Airbags**  
P275/65R18 All Terrain Tires w/Aluminum Wheels & Full Size Spare Tire  
Front Trunk (Frunk) w/Power Up & Down Hood **BLACK Grille & Bumpers**  
Front Tow Hooks **(4) Tie Down Hooks in Bed**

5 Passenger Seating w/Front Bucket Seats, Full Console w/Floor Shift, 60/40 Folding Rear Seat  
Power Windows/Locks/Mirrors/Remote Keyless Entry **Tilt Wheel! & Cruise Control!**  
Air Conditioning with Dual Zone Climate Control **Auto Headlamps w/Programmable DRL**  
AM/FM w/SYNC 4 Bluetooth w/12" Touchscreen Controls **Rearview Camera**  
Ford CoPilot 360 2.0 Safety Tech Includes BLIS Blind Spot System, Lane Keeping with Collision  
Warning, Auto High Beam Headlamps and Reverse Sensing System **PLUS MORE!**

**(YZ) White Ext, (VS) Gray VINYL Bucket Seats w/Console, Full Vinyl Floor Covering**  
ADD (85H) Backup Alarm **BEDLINER NOT ORDERED**  
(479) ProPower Onboard 9.6 kW, allows vehicle to be used as power source for tools  
(66A) Mobile Power Cord w/120V/240V  
(2) Keys **Delivery to your Location**  
**New Municipal Title & Lic**  
**YOUR COST EACH \$58,899.00**

RHINO Liner Spray in Bedliner \$695.00

WeatherTech Premium Floor Liners, Frt Pr \$150.00  
Front & Rear Set \$235.00

A.R.E V-Series Body Color Fiberglass Topper,  
Cab Height, Deep Tint Side Windows \$2795.00  
ADD Swing Up Side Windows \$350.00

A.R.E Fiberglass Tonneau Cover \$2395.00

**AWD 8250 GVWR, Approx 1600lb Payload, Trailer Wt Approx 6000lb (HD Trailer Pkg NOT included)**  
Please contact me with any questions and thanks for your business!

Sincerely,

Todd Crews  
Fleet Sales Manager



### City of Geneva Payment Request

Date 05/17/2023 Date Needed 05/25/2023

Vendor Bob Ridings Inc. Vendor # 2752

Address 931 Springfield Road  
Taylorville, IL 62568

<b>Payment Processing Information</b>		
Mail Check <input type="checkbox"/>	Return to Department <input checked="" type="checkbox"/>	Employee <input type="checkbox"/>
<b>Justification for Choosing Vendor</b>		
Lowest Price <input type="checkbox"/>	Council Approved <input checked="" type="checkbox"/>	Other <input type="checkbox"/>
Reason _____		

<b>Paid Advance of Council Approval</b>	
Yes* <input checked="" type="checkbox"/>	No <input type="checkbox"/>
Date Required <u>05/25/2023</u>	
*Requires City Administrator's Approval	

Account Number	Amount	Description
430.80.82.95-825	\$ 58,736.00	2023 Ford F150 Lighting SuperCrew Pickup
Total:	\$ 58,736.00	

**Purpose**  
Bob Ridings is delivering the 2023 Ford F150 Lighting SuperCrew Pickup next Friday (05/26/2023) at 11:00 am. This check is needed to pay in full at time of delivery.

Approval \_\_\_\_\_  
Division \_\_\_\_\_  
  
Michael K. Antenore Digitally signed by Michael K. Antenore  
Date: 2023.05.17 16:07:08 -05'00'  
Department \_\_\_\_\_

Finance Manager \_\_\_\_\_  
  
City Administrator (if required) \_\_\_\_\_

**Clear**

**Bob Ridings Inc**  
**931 Springfield Rd**  
**Taylorville, IL 62568**  
 Ph 217-824-2207  
 Fax 217-824-4252

Invoice # FL2278

Date: 5-15-23

**Geneva Fire Dept**  
 200 Eastside Dr  
 Geneva, IL 60134

**BALANCE DUE**  
 Upon Receipt

**\$58,736.00**

Notes: Your P/O # 52426

Item Description	Quantity	Price Per	Total
2023 Ford F150 Lightning Pro CREW Cab 4x4 Pickup VIN # 1FTVW1EL5PWG13798	1		\$58,899.00
New Title & License NOT Ordered	1		(-\$163.00)
Delivery to your Location			
Tax Exempt # E99960761		Tax - 0%	\$0.00
<b>TOTAL</b>			<b>\$58,736.00</b>



**VEHICLE LETTERING  
SIGNS • DECALS • BANNERS**

**Estimate #6191**

**6/16/2023**

**Prepared For:**

Geneva Fire Department  
Kevin Swanson

**Prepared By:**

Matthew Eby  
Eby Graphics, Inc  
764 Tek Dr.  
Crystal Lake, IL 60014 USA

**Phone:**

**Fax:**

**Phone:** 815-479-1616

**Fax:** 815-479-1818

**Alt. Phone:**

**Alt. Phone:**

**Email:** kswanson@geneva.il.us

**Email:** meby@ebygraphics.com

**Description:** Lightning [REDACTED]

**Estimated Time For Production:** 30 working days

Quantity	Description	Each	Total	Taxable
1	65.00 in x 8.00 in graphic cut out of 3M 5100R 30 x 50	79.00	\$79.00	
2	74.00 in x 6.00 in graphic cut out of 3M 5100R 30 x 50	48.8592	\$97.72	
2	86.00 in x 16.00 in graphic cut out of 3M 5100R 30 x 50	104.2560	\$208.51	
2	17.00 in x 12.00 in graphic cut out of 3M 5100R 30 x 50	34.5936	\$69.19	
6	Installation	68.20	\$409.20	
<b>Subtotal</b>			\$863.62	
Municipal Discount			(\$21.59)	
<b>Total</b>			<b>\$842.03</b>	

**Terms:** Payment terms not yet discussed

**By my signature, I authorize work to begin and agree to pay the above amount in full according to the terms on this agreement.**

**Signed by**

**Date**

**Amt. Paid Today**







**VEHICLE LETTERING  
SIGNS • DECALS • BANNERS**

**Estimate #6191**

**6/16/2023**

I accept the artwork above for this project.

Signed by

Date

Amt. Paid Today

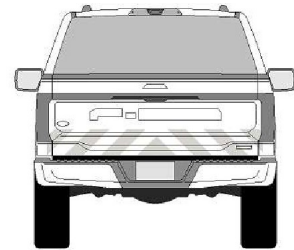
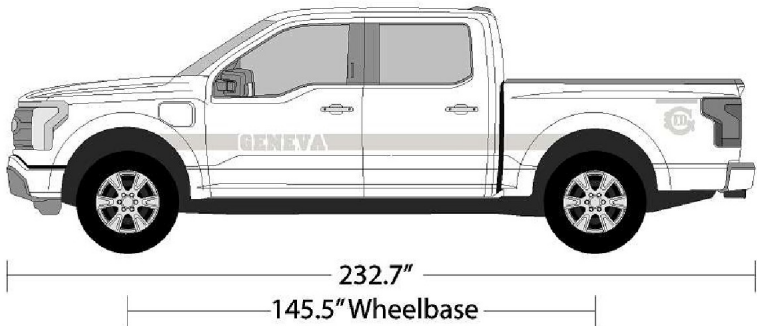
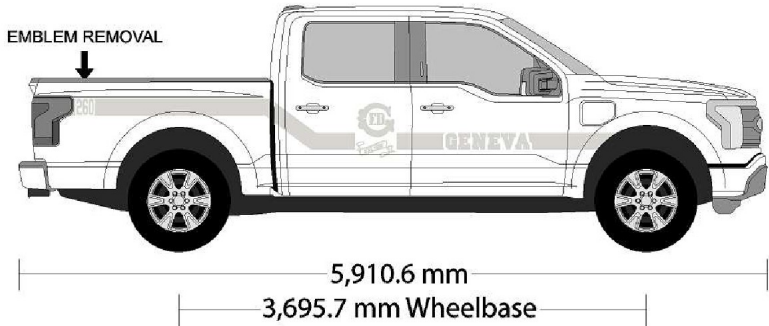


DATE  
6/16/2023

REVISION  
**A**

DRAWN BY  
MATTHEW EBY

GenevaFD\_F350\_B.fs



Ford F-150\_23\_07  
Supercrew Cab 5.5' Box  
Lightening

**ATTENTION! IT IS THE RESPONSIBILITY OF THE CUSTOMER TO PROOF ALL DRAWINGS CAREFULLY**  
- TO APPROVE COLOR, SHAPE, STYLE, PROPORTIONS OF GRAPHICS AND LOGOS, AND SPELLING  
COLORS DEPICTED MAY NOT BE ACCURATE REPRESENTATION OF FINISHED MATERIALS,  
REFER TO PRODUCT SAMPLE FOR EXACT COLOR MATCH

APPROVAL AS IS    REQUESTED REVISIONS: \_\_\_\_\_  
\_\_\_\_\_  
\_\_\_\_\_  
APPROVAL SIGNATURE / DATE \_\_\_\_\_





**Estimate #6191**

**6/16/2023**

This artwork is Copyright (c) 2023

Use of this artwork by any party other than for any purpose whatever is prohibited without a signed release from Eby Graphics, Inc.

I accept the artwork above for this project.

---

Signed by

Date

Amt. Paid Today





**VEHICLE LETTERING  
SIGNS • DECALS • BANNERS**

**Estimate #6192**

**6/16/2023**

**Prepared For:**

Geneva Fire Department  
Kevin Swanson

**Prepared By:**

Matthew Eby  
Eby Graphics, Inc  
764 Tek Dr.  
Crystal Lake, IL 60014 USA

**Phone:**

**Fax:**

**Phone:** 815-479-1616

**Fax:** 815-479-1818

**Alt. Phone:**

**Alt. Phone:**

**Email:** kswanson@geneva.il.us

**Email:** meby@ebygraphics.com

**Description:** Lightning [REDACTED]

**Estimated Time For Production:** 30 working days

Quantity	Description	Each	Total	Taxable
1	65.00 in x 8.00 in graphic cut out of 3M 5100R 30 x 50	79.00	\$79.00	
2	98.00 in x 8.00 in graphic cut out of 3M 5100R 30 x 50	69.0672	\$138.13	
2	9.00 in x 9.00 in graphic cut out of 3M 5100R 30 x 50	27.2784	\$54.56	
4	Installation	71.30	\$285.20	
			<b>Subtotal</b>	\$556.89
			Municipal Discount	(\$13.92)
			<b>Total</b>	<b>\$542.97</b>

**Terms:** Payment terms not yet discussed

**By my signature, I authorize work to begin and agree to pay the above amount in full according to the terms on this agreement.**

**Signed by**

**Date**

**Amt. Paid Today**





**VEHICLE LETTERING  
SIGNS • DECALS • BANNERS**

**Estimate #6192**

**6/16/2023**

I accept the artwork above for this project.

Signed by

Date

Amt. Paid Today

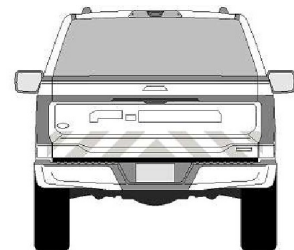
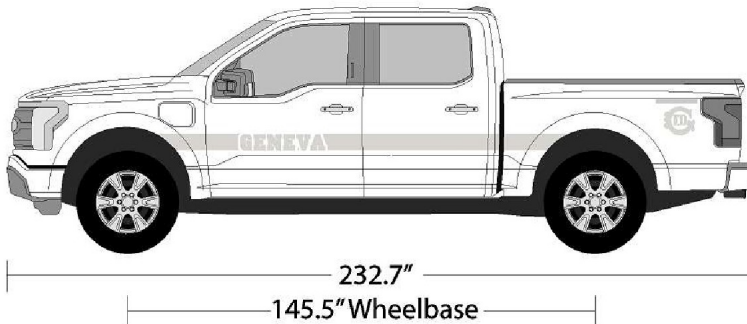
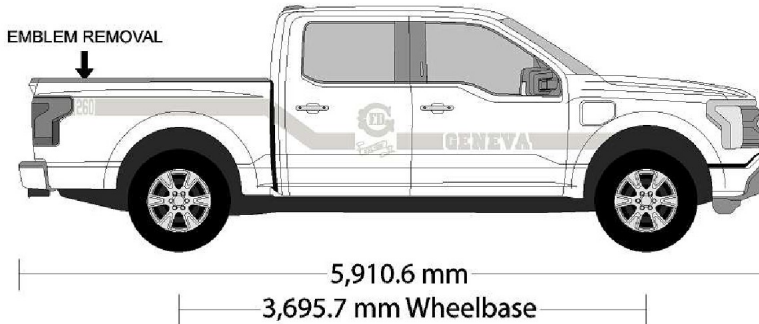


DATE  
6/16/2023

REVISION  
**A**

DRAWN BY  
MATTHEW EBY

GenevaFD\_F350\_B.fs



Ford F-150\_23\_07  
Supercrew Cab 5.5' Box  
Lightening

**ATTENTION! IT IS THE RESPONSIBILITY OF THE CUSTOMER TO PROOF ALL DRAWINGS CAREFULLY**  
- TO APPROVE COLOR, SHAPE, STYLE, PROPORTIONS OF GRAPHICS AND LOGOS, AND SPELLING  
COLORS DEPICTED MAY NOT BE ACCURATE REPRESENTATION OF FINISHED MATERIALS,  
REFER TO PRODUCT SAMPLE FOR EXACT COLOR MATCH

APPROVAL AS IS    REQUESTED REVISIONS: \_\_\_\_\_  
\_\_\_\_\_  
\_\_\_\_\_  
APPROVAL SIGNATURE / DATE \_\_\_\_\_





**Estimate #6192**

**6/16/2023**

This artwork is Copyright (c) 2023

Use of this artwork by any party other than for any purpose whatever is prohibited without a signed release from Eby Graphics, Inc.

I accept the artwork above for this project.

---

Signed by

Date

Amt. Paid Today

